



**Roadranger®**

More time on the road®

# Illustrated Parts List

---

**RTOF-15613**  
**July 2011**

# Contents

How To Use The Illustrated Parts List .....	3
AUXILIARY DRIVE GEAR.....	4
CASE (AUX) .....	5
CASE (FRONT).....	7
COUNTERSHAFT & BRGS(AUX).....	9
COUNTERSHAFT ASSY.....	10
FILTER REGULATOR.....	11
H & C W/19470 VALVE.....	12
H & C W/A-4688 VALVE.....	13
H & C W/A-5000 VALVE.....	14
INPUT SHAFT & DRIVE GEA.....	15
INTEGRAL OIL PUMP .....	16
ISOLATORS.....	18
KITS & ASSEMBLIES .....	19
LEVERS/HOUSINGS .....	22
MAINSHAFT & SYNCHRO(AUX).....	24
MAINSHAFT ASSY.....	26
MISCELLANEOUS .....	28
NON-SELECTIVE M/S ASSY .....	29
OIL COOLER.....	30
RANGE CYLINDER.....	31
RANGE VALVE .....	32
RATIO CONTROL .....	34
REVERSE IDLER.....	36
ROADRANGER VALVES .....	38
SELECTOR VALVE ASSY.....	39
SHIFT BAR HOUSING (F).....	40
SLAVE VALVE - 19470.....	42
SLAVE VALVE - A-4688.....	43
SLAVE VALVE - A-5000.....	44
SPLITTER CYLINDER .....	45

## How To Use The Illustrated Parts List

The information contained in this document is subject to frequent updates. Therefore, for the latest information available, please visit the interactive Electronic Parts Catalog at [www.roadranger.com/epc](http://www.roadranger.com/epc).

### Model Designation or Nomenclature

- For information regarding Model Designation and Nomenclature, visit [www.roadranger.com](http://www.roadranger.com).

### Kits and Assemblies (K/A's)

- Kits and Assemblies contain groups of individual or assembled parts developed for optimal replacement or repair of a service problem.
- Kits and Assemblies are shown with applicable parts groupings in the parts listings.

### Identifying Kits and Assemblies

A- Part numbers beginning with the letter 'A' are pre-assembled Production Assemblies

K- Part numbers beginning with the letter 'K' are kits that are not assembled

S- Part numbers beginning with the letter 'S' are pre-assembled Service Assemblies

- Note: Some Production Assemblies do not begin with a letter prefix (Midrange only).

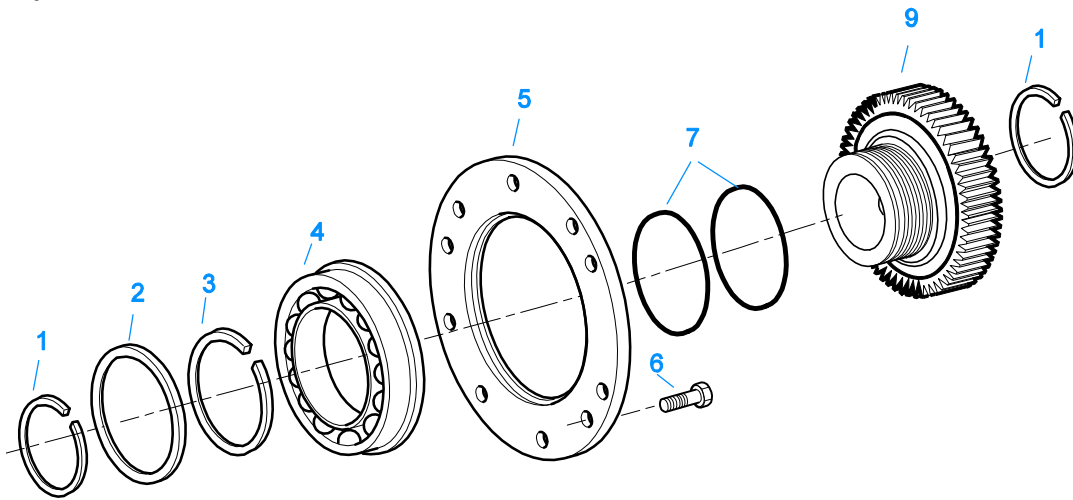
### Illustrations

- Illustrations show parts in assembly groups.
- Item numbers on illustrations correspond with parts listings on pages adjacent to the illustration.
- Notes are included on illustrations where additional information is needed.

### Parts Listing

Parts listings are defined by parts groupings and are broken down by service assemblies. Parts listings identify a part for servicing with the following categories

- **Item Number** - corresponding with numbers on illustrations for part identification.
- **Current Part** - identifies part as it is available for service.
- **Description** - specifies part name or description.
- **Replaced Part** - quantity quantity required for assembly.
- **Quantity** - defines unique characteristics or requirements.
- **Notes** - indicates Kits or Assemblies that contain a particular part.
- **Kits/Assy's Where Used**

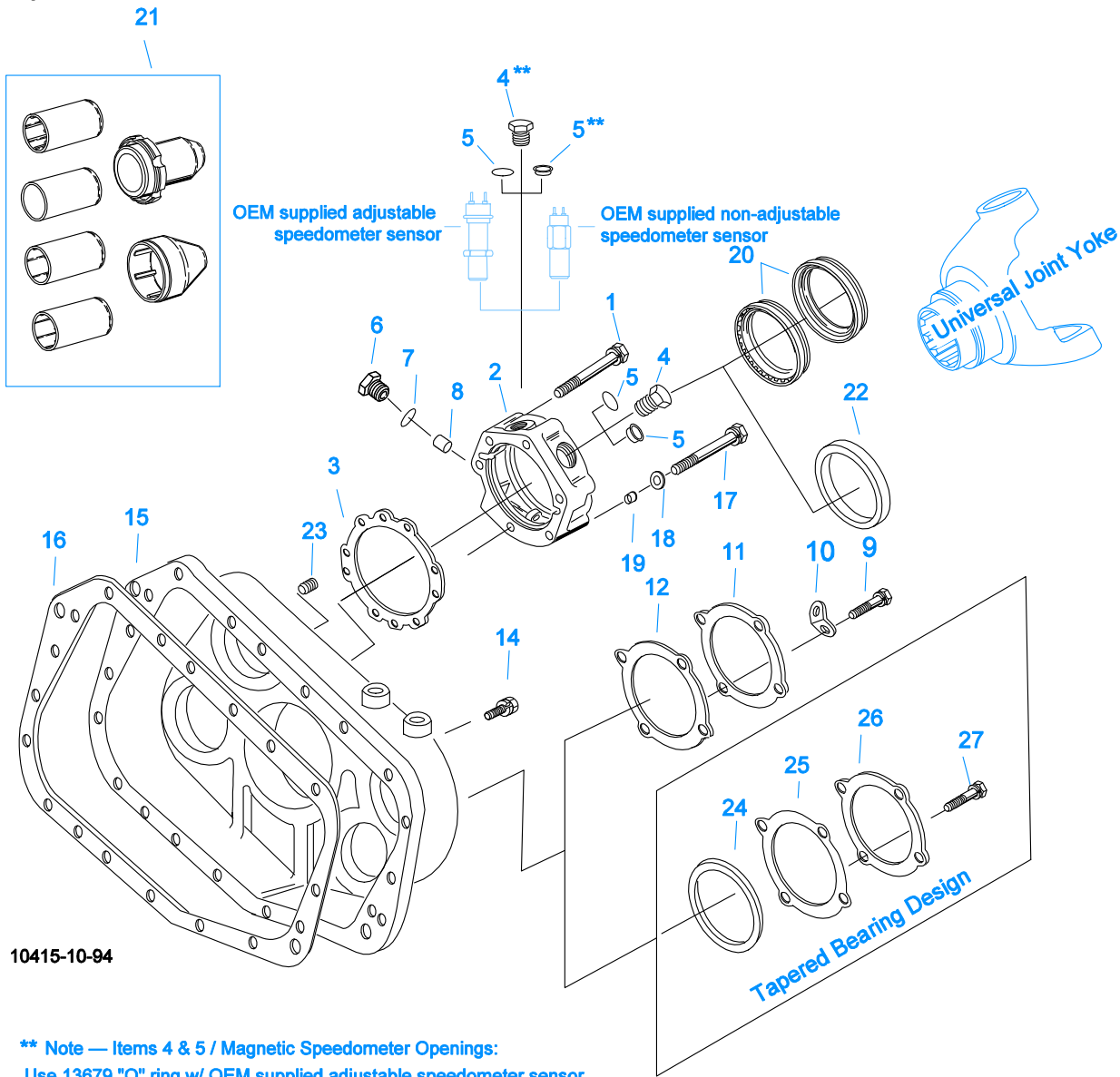


10482-12/92 Aux DG

### AUXILIARY DRIVE GEAR

Item	Current Part	Description	Replaced Part	Qty.	Notes	Kits/Assys Where Needed
1	16763	SNAP RING		2		K-1793,K-1874,K-1972,K-2280,K-2341,K-3155
2	21320	SNAP RING RETAINER		1	RTO/RTOF	K-2316
3	16628	SNAP RING		1		K-1793
4	5566507-BOX	BEARING	5566504,5566507	1		K-1874,K-1972,K-2280,K-2341
5	16138	BEARING RETAINER		1		
6	X-8-645	CAPSCREW	X 8 612	6	3/8"-16X1"	
7	17453	-O- RING		2		K-1874,K-1972,K-2280,K-2316,K-2341
9	K-2316	REPL KIT-DRIVE GEAR	4300463 4300547	1		

Group: CASE (AUX)



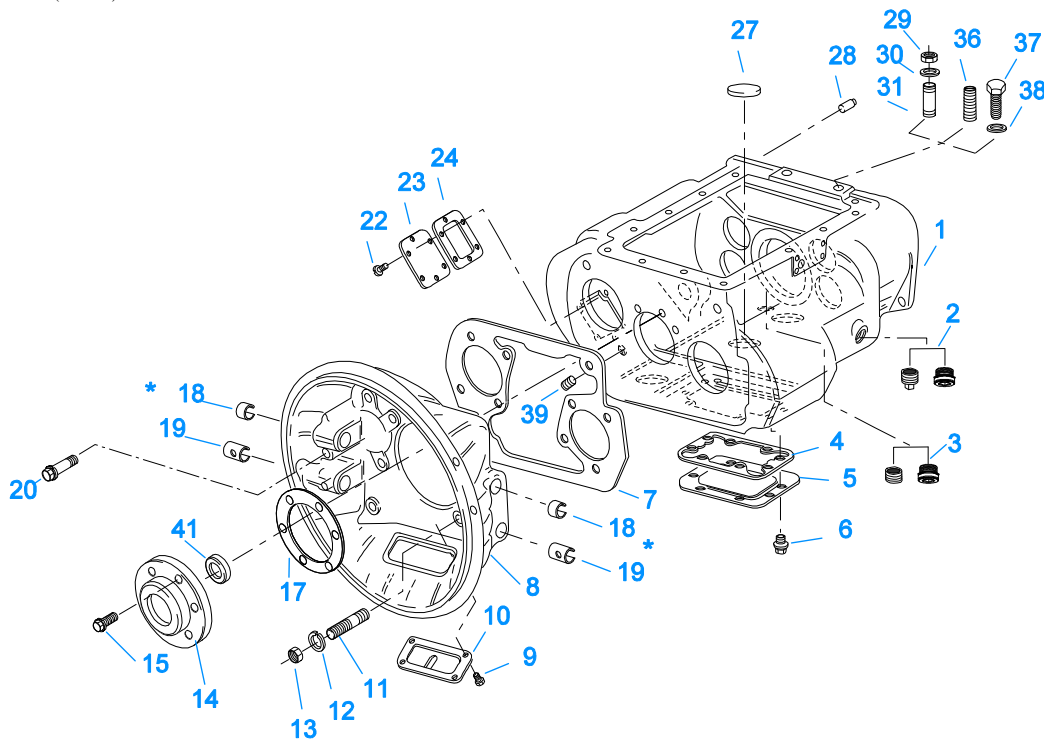
10415-10-94

**\*\* Note — Items 4 & 5 / Magnetic Speedometer Openings:**  
 Use 13679 "O" ring w/ OEM supplied adjustable speedometer sensor  
 and 20225 "O" ring w/ OEM supplied non-adjustable speedometer sensor or Eaton part #20224 Plug

**CASE (AUX)**

Item	Current Part	Description	Replaced Part	Qty.	Notes	Kits/Assys Where Needed
1	X-8L-605	CAPSCREW		5	3/8"-16X3", USE W/S-2151 COVER	
1	X-8L-611	CAPSCREW		5	3/8"-16X3-1/4", USE W/S-2119 COVER	
2	S-2119	REAR BRG COVER ASSY	20048 ,22045 ,4302009 ,4302031 ,S - 1558 S - 1560	1	EXTENDED	
2	S-2151	REAR BRG COVER ASSY	S - 1429	1		
3	15532	GASKET		1		K-1603,K-2199,K- 2256,K-2262,S-2119,S- 2151
4	20224	PLUG-MAGNETIC		2		S-1454,S-1455,S- 2119,S-2151,S-2262
5	13679	-O- RING		1	USE W/OEM SUPPLIED ADJUSTABLE SPEEDOMETER SENSOR NOT TO BE USED WITH 4301954 SEAL	
5	20225	-O- RING		2	USE W/20224 PLUG OR OEM SUPPLIED NON-ADJUSTABLE SPEEDOMETER SENSOR NOT TO	

Item	Current Part	Description	Replaced Part	Qty.	Notes	Kits/Assys Where Needed
5	4301954	SENSOR SEAL		2	BE USED WITH 4301954 SEAL	S-2119,S-2151
6	20226	PLUG-MECHANICAL	2237	1	O-RING NOT REQUIRED	S-1454,S-1455,S-2119,S-2151,S-2262
7	14142	-O- RING		1		S-1454,S-1455,S-2119,S-2151,S-2262
8	7992	BUSHING		1		S-2119,S-2151
9	X-8-686	CAPSCREW		8	3/8"-16X3/4"	
9	X-8L-600	CAPSCREW		2	3/8"-16X1", USE W/20815 LIFTING EYES	
10	20815	LIFTING EYE	17105	2		S-2262
11	16724	REAR BRG COVER		2		
12	17097	GASKET		2		K-1603,K-2199
14	X-8L-602	CAPSCREW		9	3/8"-16X1-1/2"	
14	X-8L-604	CAPSCREW		8	3/8"-16X1-1/4"	
14	X-8L-614	CAPSCREW		2	3/8"-16X2"	
15	S-2909	REAR HSG REPL ASSY	18743 ,18786	1		
15	S-2986	REAR HOUSING CASE ASSY	4300181 ,4300863	1	FOR TAPERED ROLLER BEARINGS	
16	14335	GASKET		1		K-1603,K-2199,S-1454,S-1455,S-2262
17	X-8-611	CAPSCREW		1	3/8"-16X3-1/4", USE W/S-2119 COVER	
17	X-8-682	CAPSCREW		1	3/8"-16X3", USE W/S-2151 COVER	
18	17106	GASKET		1		K-2199,K-2256,K-2262,S-2119,S-2151
19	19709	COLLAR		1		K-1603,K-2199,K-2256,K-2262,S-2119,S-2151
20	K-2262	OIL SEAL W/SLINGER	19109 20807 20808	1	"FOR MECHANICAL COVER"	K-2280,K-2340,K-2341
21	K-3651	OIL SEAL TOOL KIT		1		
22	K-2262	OIL SEAL W/SLINGER	19109 20807 20808	1	"FOR MECHANICAL COVER"	K-2280,K-2340,K-2341
23	X-12-404	PIPE PLUG		1	1/4" NPT	
24	K-2430	SHIM KIT	21452	1		K-2280,K-2340,K-2341,S-2262
25	4300186	GASKET		2		K-1603,K-2199,S-2262
26	4300925	REAR BEARING COVER	4300185	2		S-2262
27	X-8L-604	CAPSCREW		8	3/8"-16X1-1/4"	



10308-10-94

\* Bushing quantity requirements: #1 Housing – Upper bore use 4 #12815 / Lower bore use 2 #8677.

#2 Housing – Upper bore use 2 #12815 and 1 #8677 / Lower bore use 2 #8677.

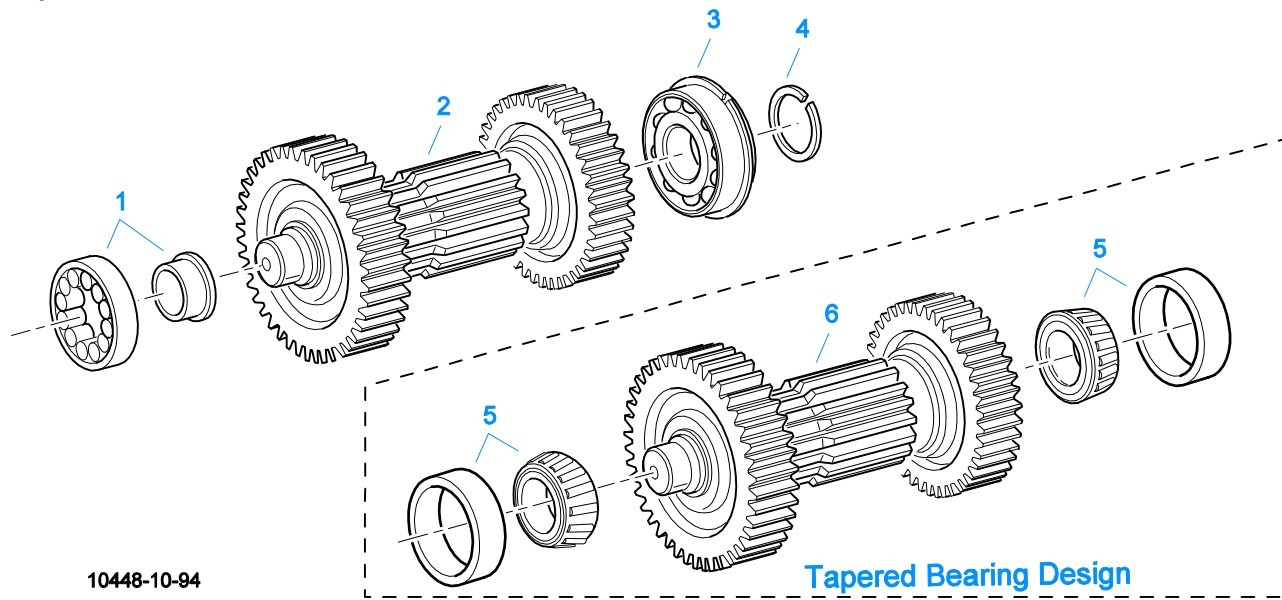
**Note: Some part requirements are specific to #1 or #2 Clutch Housings and Push or Pull type Clutch.**

**CASE (FRONT)**

Item	Current Part	Description	Replaced Part	Qty.	Notes	Kits/Assys Where Needed
1	S-1519	CASE ASSY	20500	1	FOR USE W/INTEGRAL PUMP	
1	S-1820	CASE ASSY	4300445	1	FOR USE W/INTEGRAL PUMP FOR TAPERED ROLLER BEARINGS	
2	4304023	PLUG	4303747	1	1-1/16" MAGNETIC, O-RING INCLUDED	S-1519
2	X-12-2007	PIPE PLUG	X12 2006	1		
3	4304023	PLUG	4303747	1	1-1/16" MAGNETIC, O-RING INCLUDED	S-1519
3	X-12-1207	PIPE PLUG	X12 1202 ,X12 1206	1	3/4" MAGNETIC	
4	4305310	GASKET	4302810	1		K-2199
5	4302809	PTO COVER	16596 ,4300571	1		
6	X-8-725	CAPSCREW	X 8 724	8	7/16"-14X7/8"	
7	4306584	CLUTCH HOUSING GASKET	4304815,4305668	1		K-2199
8	A-3713	CLUTCH HOUSING ASSY	A - 3700	1	#1 PUSH-PULL IRON	
8	A-3723	CLUTCH HOUSING ASSY	A - 3721 ,A - 3722	1	#2 PUSH-PULL IRON	
9	239614	SCREW	X-8L-509	4	5/16-18X.81 QUANTITY DEPENDENT ON DESIGN	
10	14507	HAND HOLE COVER		1	#2 PULL	
10	4305230	HAND HOLE COVER	11453	1	#1 PULL	
11	4306583	STUD	5966	6		
12	X-10-1005	WASHER	X 3 1000 ,X10 1000 ,X10 1004	6	1.23 X 6.60	
13	X-1-1012	HEX NUT	X-1-1005	6	.625-18	
14	15111	FRONT BRG. COVER		1	2" PULL	
14	18699	FRONT BRG. COVER		1	1-3/4" & 2" PULL W/SEAL	
14	20550	FRONT BRG COVER		1	2" PULL	K-1972,K-2468,K-4125
15	X-8L-604	CAPSCREW		6	3/8"-16X1-1/4"	
17	14311	GASKET		1		K-2199
18	12815	BUSHING		2	FOR #2 HOUSING UPPER	A-3713,A-3723,K-2468
18	12815	BUSHING		4	FOR #1 HOUSING UPPER	A-3713,A-3723,K-2468
18	8677	BUSHING		1	FOR #2 HOUSING UPPER	A-3713,A-3723

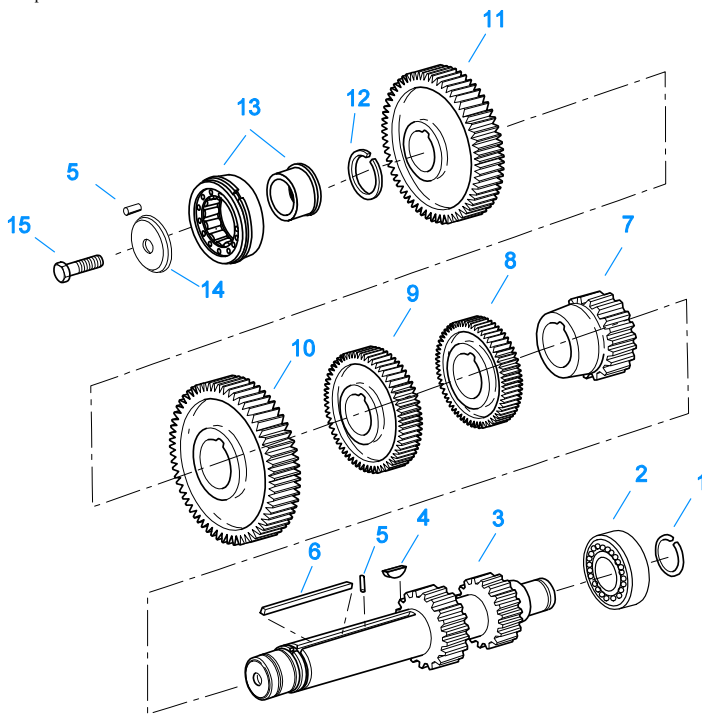
Item	Current Part	Description	Replaced Part	Qty.	Notes	Kits/Assys Where Needed
19	8677	BUSHING		2	FOR #1 AND #2 HOUSING LOWER	A-3713,A-3723
20	X-8C-830	HEX HEAD SCREW/WASHER ASSY	X-8C-826	2	.500-13 X 1.490	
20	X-8C-831	HEX HEAD SCREW/WASHER ASSY	X-8C-822	2	.500-13 X 3.460, USE ON HORIZONTAL CENTER LINE	
22	X-8-686	CAPSCREW		6	3/8"-16X3/4"	
23	14575	PTO COVER	4302254	1		
24	4305309	GASKET	1684	1		K-2199
27	14373	MAGNET		3		S-1519,S-1820
28	18128	PIN		2		
29	X-1-1012	HEX NUT		2	.625-18	
30	X-10-1005	WASHER	X 3 1000 ,X10 1000 .X10 1004	2	1.23 X 6.60	
31	14554	STUD	1632 ,6579	2	5/8" X 2-3/16"	
36	23104	PLUG	1712	2		
37	X-8-1005	CAPSCREW		2	5/8"-11X1-1/4"	
38	20814	SPACER		2		
39	X-12-802	PIPE PLUG	X12 800	1	1/2"	
41	16977	SEAL		1	2"	K-1874





### COUNTERSHAFT & BRGS(AUX)

Item	Current Part	Description	Replaced Part	Qty.	Notes	Kits/Assys Where Needed
1	4300828	BEARING	20015	2		K-1554,K-1874,K-1972,S-1454,S-1455
2	A-4957	WELDED COUNTERSHAFT ASSY	A - 4725	2	C/S 19222 - D/G 19660 S/G 19662	
3	81057	BEARING		2		K-1554,K-1874,K-1972
4	16723	SNAP RING		2		K-1554,K-1793,K-1874,K-1972
5	4302074-BOX	BEARING	21343,4302074	4		K-2280,K-2340,K-2341
6	A-6172	WELDED COUNTERSHAFT ASSY	A - 6178	2	C/S 4300595 - D/G 4300596 S/G 19662	

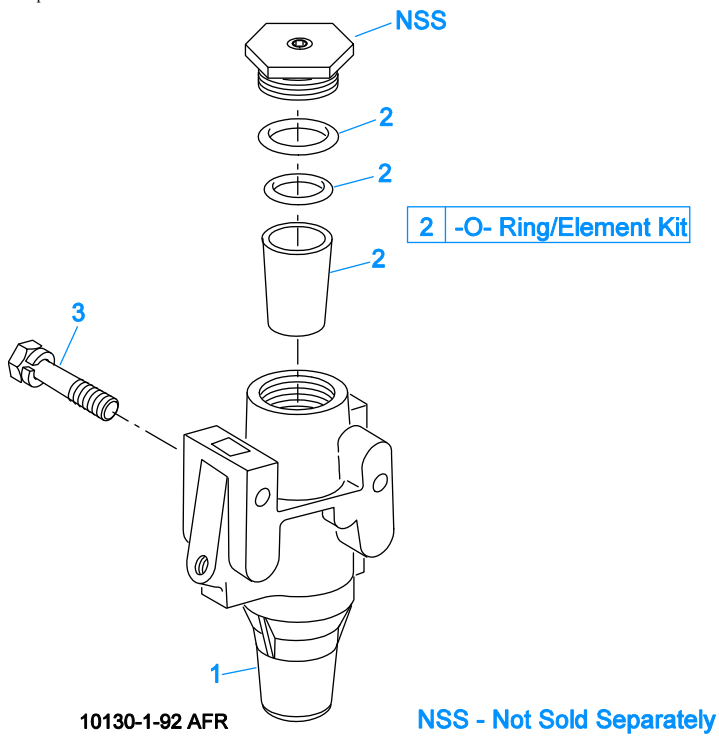


10341-1/92 CS/RT

## COUNTERSHAFT ASSY

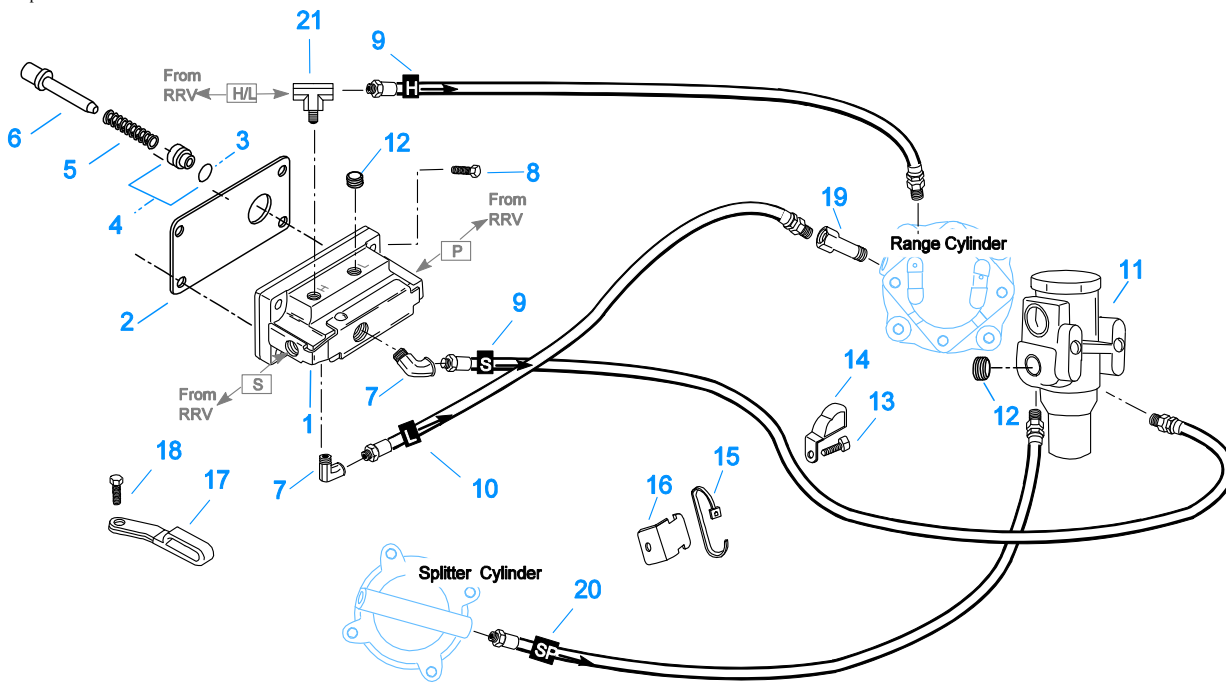
Item	Current Part	Description	Replaced Part	Qty.	Notes	Kits/Assys Where Needed
1	14317	SNAP RING		2		K-1793,K-1874,K-1972,K-2280,K-2341
2	14366	BEARING		2		K-1874,K-1972,K-2280,K-2341
3	K-2934	CNTRSHFT-W/REV & LO	19549	2		
4	X-6-E	KEY		2		
5	62511	ROLL PIN		4		
6	4304840	KEY	19673	2		
7	4306076	1ST GEAR-CNTRSHFT	19247,20471	2		
8	20482	2ND GEAR-CNTRSHFT	19615	2		
9	4305657	3RD GEAR-CNTRSHFT	19240 ,19243 ,20392 ,4302087,21020	2		
10	15953	PTO GEAR - LOWER		1		
10	16390	NO LONGER AVAILABLE		2	OPTIONAL IF PTO GEARS ARE NOT USED	
10	20840	PTO GEAR - UPPER	15952	1		
11	4305661	DRIVE GEAR-CNTRSHFT	19631 ,19633 ,20481 ,4302233,20459	2		
12	19198	SNAP RING		2		
13	4304599	BEARING	4302677 4304598	2		K-1874,K-1972,K-2280,K-2341
14	4304605	RETAINER	19548	2	ROLL PIN NO LONGER REQUIRED	
15	X-7-1005	CAPSCREW		2	5/8"-18X1-3/4"	

Group: FILTER REGULATOR



## FILTER REGULATOR

Item	Current Part	Description	Replaced Part	Qty.	Notes	Kits/Assys Where Needed
1	A-4740	FILTER/REGULATOR	19600	1		
2	K-1698	-O- RING/ELEMENT KIT		1	FOR FILTER REGULATOR	
3	X-8C-412	CAPSCREW	X 8S 412	2	1/4"-20X2-1/4"	

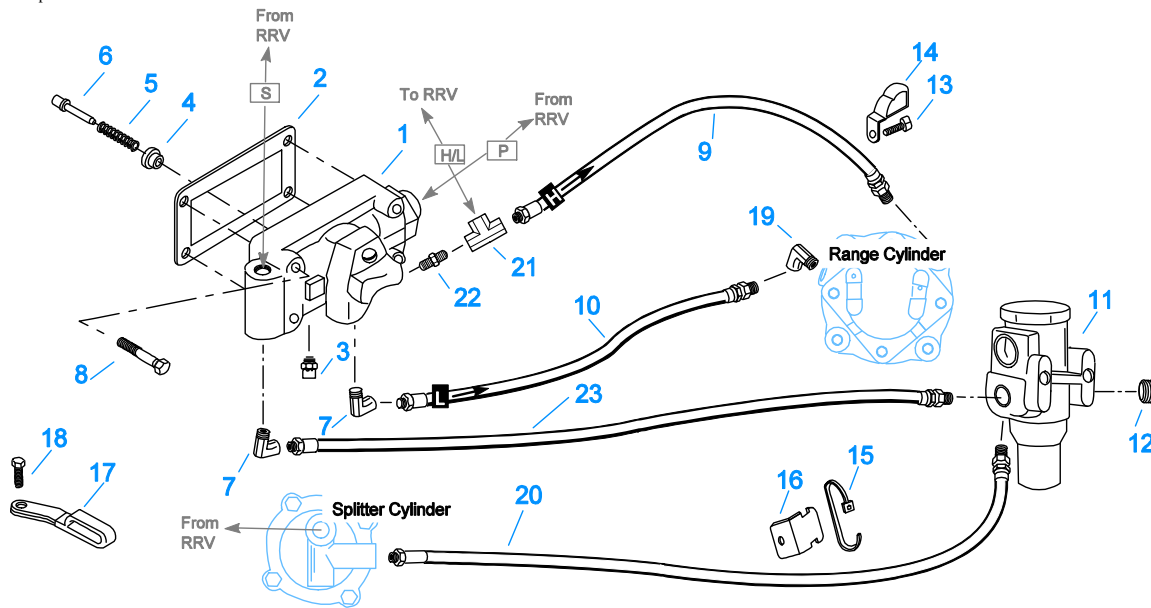


10111B-7/92 19470 HC 13spd

### H & C W/19470 VALVE

Item	Current Part	Description	Replaced Part	Qty.	Notes	Kits/Assys Where Needed
1	K-2424	VALVE REPLACEMENT KIT	19470	1		
2	19481	GASKET		1		K-1963,K-2199,K-2424
3	19462	-O- RING	14033	1		A-4688,K-1699,K-1969
4	K-1969	SLEEVE KIT	14362 19460 ,21446	1	FOR SLAVE VALVES	K-1963
5	21268	SPRING	19572	1		K-1963
6	20490	PIN	19459	1		K-1963
7	12845	ELBOW		2	1/8"	K-1963
8	X-8C-401	CAPSCREW		4	1/4"-20X1-1/8"	
9	55508	HOSE ASSY		2	30"	
10	55523	HOSE ASSY		1	29"	
11	A-4740	FILTER/REGULATOR	19600	1		
12	X-12-208	PIPE PLUG		2	1/8" NPT	
13	X-8L-601	CAPSCREW		1	3/8"-16X3/4"	
14	21427	HOSE CLAMP		1		
15	21425	STRAP		1		
16	21426	BRACKET		1		
17	21428	HOSE CLAMP		1		
18	X-8L-604	CAPSCREW		1	3/8"-16X1-1/4"	
19	12880	ELBOW		1	1/8"	
20	55527	HOSE ASSY		1	15"	
21	21086	BRANCH TEE		1	1/8"	

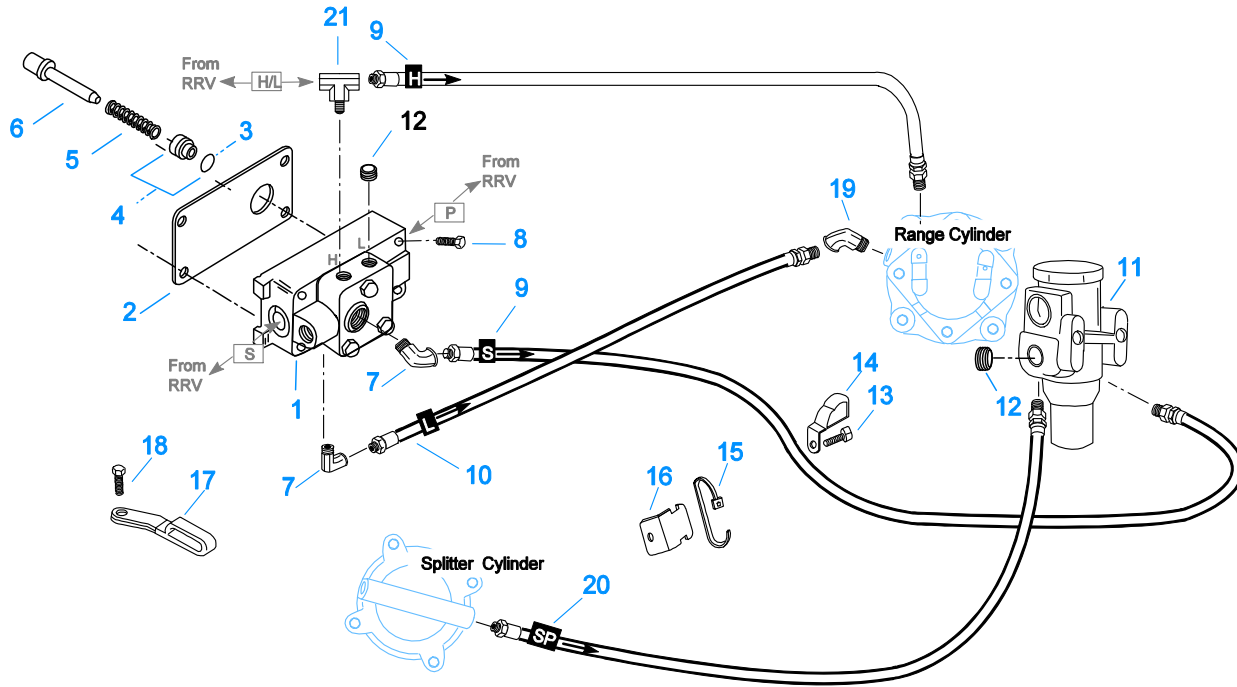
Group: H & C W/A-4688 VALVE



10112B-11-94

## H & C W/A-4688 VALVE

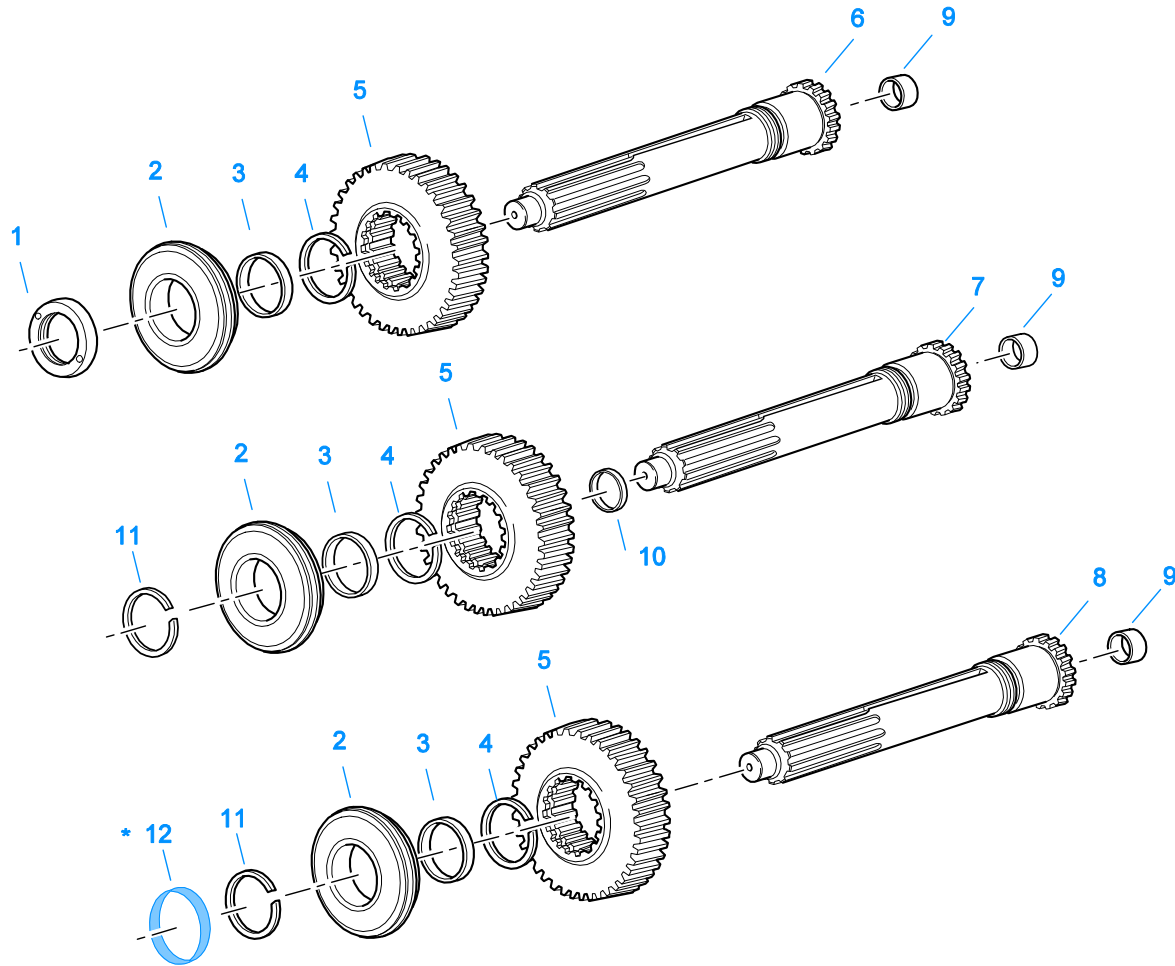
Item	Current Part	Description	Replaced Part	Qty.	Notes	Kits/Assys Where Needed
1	A-4688	SLAVE VALVE ASSY	15125 ,19464 ,A - 3991	1		
2	15758	GASKET		1		K-1699,K-2199
3	X2014210	BREATHER	7935	1		
4	K-1969	SLEEVE KIT	14362 19460 ,21446	1	FOR SLAVE VALVES	K-1963
5	6392	SPRING		1		S-1219,S-1529,S-1531
6	14361	PIN		1		
7	12845	ELBOW		2	1/8"	K-1963
8	X-8L-411	CAPSCREW	X 8 411	4	1/4"-20X1-3/4"	
9	55522	HOSE ASSY		1	28"	
10	55523	HOSE ASSY		1	29"	
11	A-4740	FILTER/REGULATOR	19600	1		
12	X-12-208	PIPE PLUG		1	1/8" NPT	
13	X-8L-601	CAPSCREW		1	3/8"-16X3/4"	
14	21427	HOSE CLAMP		1		
15	21425	STRAP		1		
16	21426	BRACKET		1		
17	21428	HOSE CLAMP		1		
18	X-8L-604	CAPSCREW		1	3/8"-16X1-1/4"	
19	12880	ELBOW		1	1/8"	
20	55527	HOSE ASSY		1	15"	
21	12881	TEE		1	1/8"	K-1963
22	12769	NIPPLE		1	1/8"	K-1963
23	55509	HOSE ASSY		1	34"	



10110G-10/93 A-5000 HC 13spd

## H & C W/A-5000 VALVE

Item	Current Part	Description	Replaced Part	Qty.	Notes	Kits/Assys Where Needed
1	A-5000	SLAVE VALVE ASSY	20850	1		K-1963,K-2424
2	19481	GASKET		1		K-1963,K-2199,K-2424
3	19462	-O- RING	14033	1		A-4688,K-1699,K-1969
4	K-1969	SLEEVE KIT	14362 19460 ,21446	1	FOR SLAVE VALVES	K-1963
5	21268	SPRING	19572	1		K-1963
6	20490	PIN	19459	1		K-1963
7	12845	ELBOW		2	1/8"	K-1963
8	X-8C-411	CAPSCREW		4	1/4"-20X1-3/4"	
9	55508	HOSE ASSY		2	30"	
10	55523	HOSE ASSY		1	29"	
11	A-4740	FILTER/REGULATOR	19600	1		
12	X-12-208	PIPE PLUG		2	1/8" NPT	
13	X-8L-601	CAPSCREW		1	3/8"-16X3/4"	
14	21427	HOSE CLAMP		1		
15	21425	STRAP		1		
16	21426	BRACKET		1		
17	21428	HOSE CLAMP		1		
18	X-8L-604	CAPSCREW		1	3/8"-16X1-1/4"	
19	12880	ELBOW		1	1/8"	
20	55527	HOSE ASSY		1	15"	
21	21086	BRANCH TEE		1	1/8"	

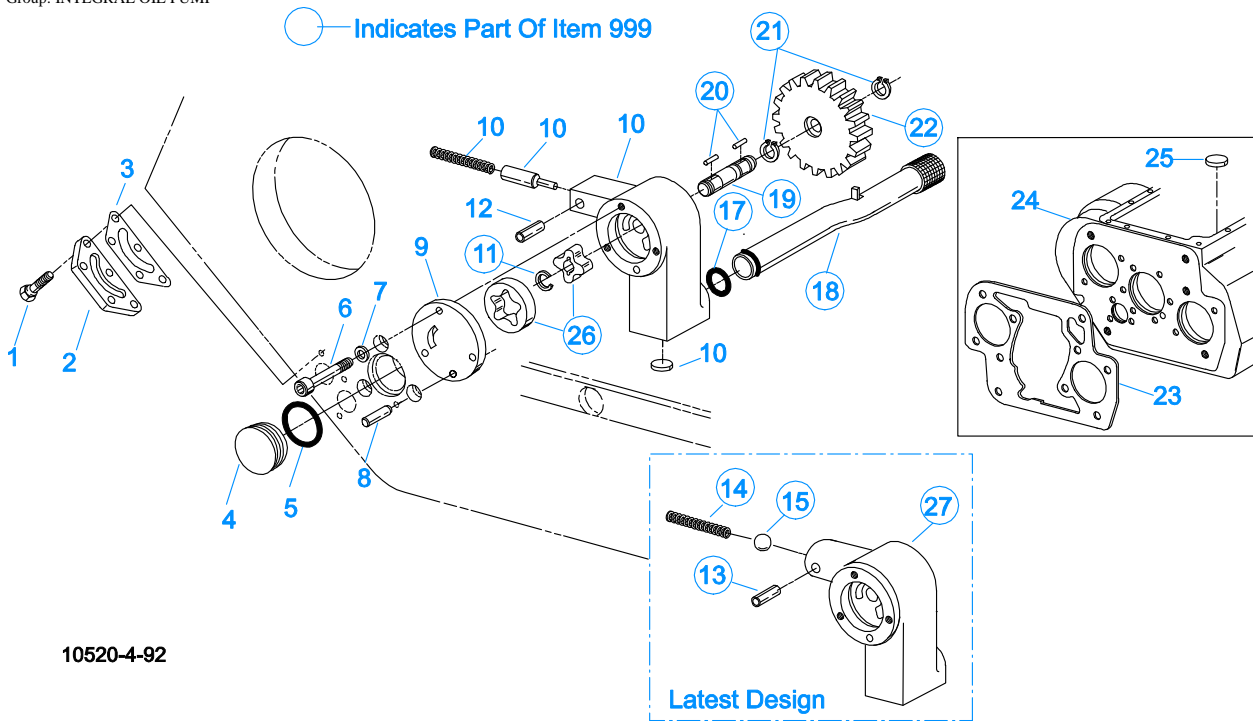


10372-5/93 IS (3)

\* For Shipping Only -- Do Not Replace

## INPUT SHAFT & DRIVE GEA

Item	Current Part	Description	Replaced Part	Qty.	Notes	Kits/Assys Where Needed
1	8997	NUT		1	PULL	
2	81504	BEARING		1		K-1874,K-1972,K-2280,K-2341,K-2468,K-4125
3	16463	SPACER		1		
4	14750	SNAP RING		1		K-1793,K-1874,K-1972,K-2280,K-2341,K-2468,K-4125
5	20458	MAIN DRIVE GEAR	19630	1		
6	S-1128	INPUT SHAFT	16465	1	2" PULL - USE W/FBC 15111	
7	S-1409	INPUT SHAFT	18837	1	2" PULL W/SEAL - USE W/FBC 18699	
8	S-1659	INPUT SHAFT	20535 23566 4302661	1	2" PULL - USE W/FBC 20550	K-1972,K-2341,K-2468,K-4125
9	16566	BUSHING		1		K-1874,K-2280,S-1128,S-1409,S-1659
10	16978	SLEEVE		1	2" W/SEAL	S-1409
11	16980	SNAP RING		1		K-1874,K-1972,K-2280,K-2341,K-2468,K-4125
12	23559	SHIPPING SEAL		1	NOT SOLD FOR SERVICE	

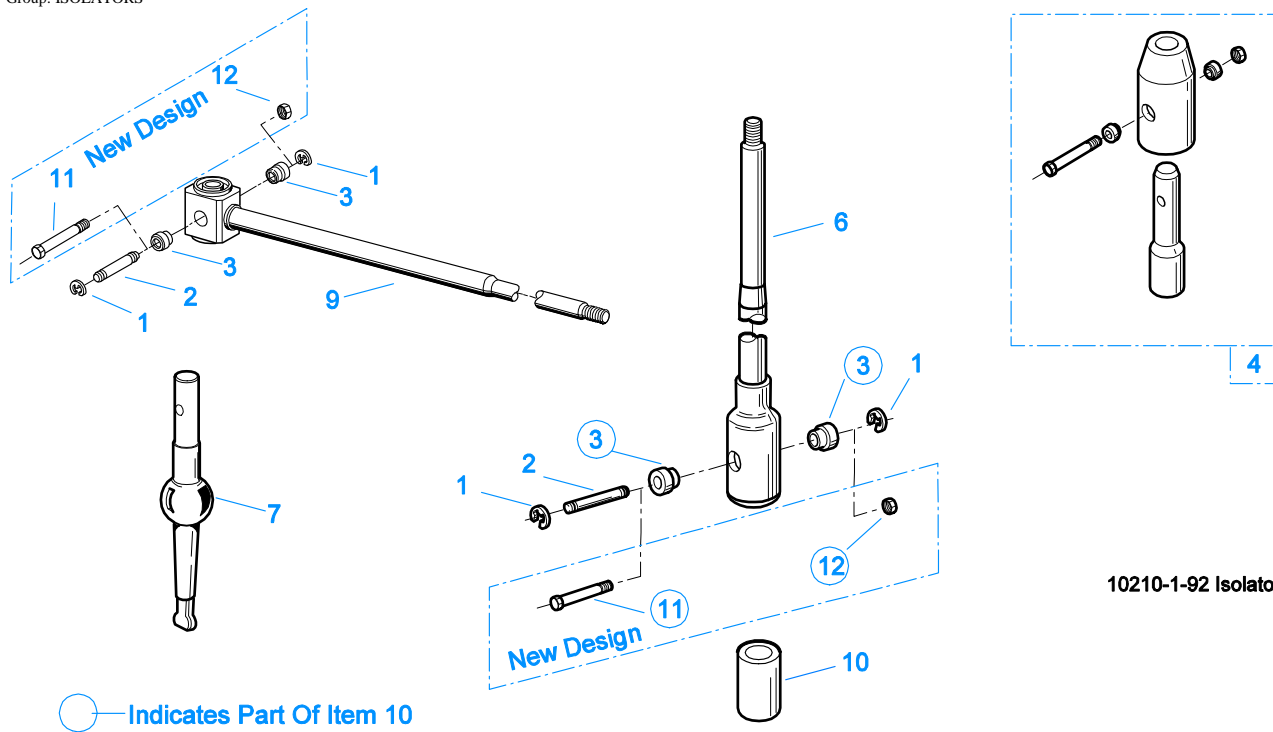


## INTEGRAL OIL PUMP

Item	Current Part	Description	Replaced Part	Qty.	Notes	Kits/Assys Where Needed
1	X-8C-409	CAPSCREW		5	1/4"-20X5/8" - USE WITH 4300751 COVER	
1	X-8C-430	CAPSCREW		5	1/4"-20X7/8" - USE WITH 20513 COVER	
2	K-2402	COVER & SCREW KIT	20513 ,4300751	1		K-2402
3	20514	GASKET		1		
4	20823	PLUG		1		
5	14765	-O- RING		1		K-1432,K-1447,K-1450,K-2002
6	X-8-448	SCREW	X 8 445	3	1/4"-20X1-1/4"	
7	20824	WASHER		3		K-3367
8	20825	DOWEL PIN		1		
9	4303107	RETAINER	20510	1		S-1519,S-1820
10	K-3367	OIL PUMP KIT	4301829 ,4301948 ,4303776 ,4304529 ,4304572 A - 6963 ,A - 7173	1		
11	20518	CRESCENT RING		1		
12	62516	ROLL PIN	62521	1		
13	62514	ROLL PIN		1		
14	K-3367	OIL PUMP KIT	4301829 ,4301948 ,4303776 ,4304529 ,4304572 A - 6963 ,A - 7173	1		
15	X-14-700	STEEL BALL		1	7/16"	
17	20225	-O- RING		1		
18	4305713	SUCTION TUBE	4304628	1	O-RING INCLUDED ON SUCTION TUBE	K-3367
19	20508	DRIVE SHAFT		1		
20	20509	KEY		2		
21	14853	SNAP RING		2		
22	20511	DRIVE GEAR		1		
23	4306584	CLUTCH HOUSING GASKET	4304815,4305668	1		K-2199
24	S-1519	CASE ASSY	20500	1	FOR USE W/INTEGRAL PUMP	
24	S-1820	CASE ASSY	4300445	1	FOR USE W/INTEGRAL PUMP FOR TAPERED ROLLER BEARINGS	
25	14373	MAGNET		3		S-1519,S-1820
26	20507	ELEMENT		1		



Item	Current Part	Description	Replaced Part	Qty.	Notes	Kits/Assys Where Needed
27	K-3367	OIL PUMP KIT	4301829 ,4301948 ,4303776 ,4304529 ,4304572 A - 6963 ,A - 7173	1		
999	K-3367	OIL PUMP KIT	4301829 ,4301948 ,4303776 ,4304529 ,4304572 A - 6963 ,A - 7173	1		



10210-1-92 Isolator

**ISOLATORS**

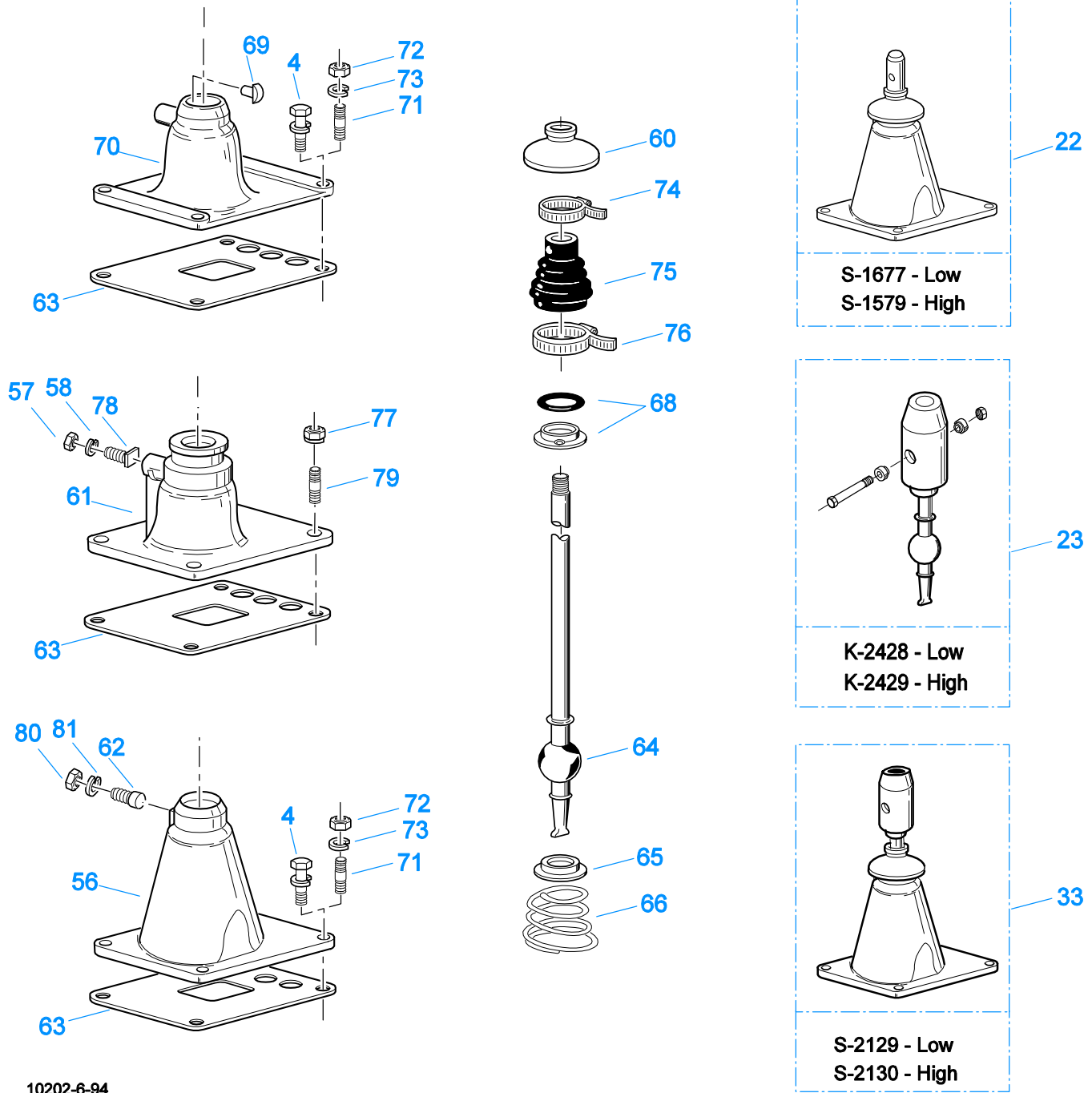
Item	Current Part	Description	Replaced Part	Qty.	Notes	Kits/Assys Where Needed
1	19124	-E- RING		2		
2	K-3467	PIN REPLACEMENT KIT	21245	1		
3	21246	BUSHING		2		K-2003,K-2428,K-2429,K-3399,S-2129,S-2130
4	S-1794	ISOLATOR ASSY		1		
6	21247	LEVER		1	STRAIGHT 18.67"	
7	21235	STUB LEVER		1	LOW TOWER	K-2428,S-1677
7	21236	STUB LEVER		1	HIGH TOWER	K-2429,S-1579,S-2130
9	21767	90 DEG LEVER		1	STRAIGHT 33"	
10	K-3399	ISOLATOR BUSHING KIT	21244 ,23311	1		
11	X-8-560	SCREW		1		
12	X-9-503	NUT		1		

## KITS & ASSEMBLIES

Item	Current Part	Description	Replaced Part	Qty.	Notes	Kits/Assys Where Needed
K-1010		SPLITTER CYLINDER KIT	15419	1		
K-1432		CYL KIT-RANGE		1		
K-1447		-O- RING KIT		1		K-1554,K-1874,K-1972,K-2280,K-2340,K-2341
K-1450		-O- RING KIT-RANGE		1		
K-1451		-O- RING KIT		1	FOR SPLITTER CYLINDER	
K-1457		-O- RING KIT		1	FOR 19974 VALVE	
K-1476		SHIFT LEVER HSG	4530 ,17163 ,18298 ,4304905 ,A - 4437	1	LOW TOWER	
K-1546		REPL KIT-MAINSHAFT	15948 ,18134	1		
K-1550		REPAIR KIT-VALVE		1	FOR SELECTOR VALVE	
K-1554		BASIC OVERHAUL KIT		1	AUX. SECTION	
K-1566		VALVE REPAIR KIT		1	FOR A-3546 VALVE	
K-1603		GASKET KIT		1	FOR AUXILIARY SECTION	K-1554,K-2340
K-1613		CAP REPLACEMENT KIT	16429 ,18707	1	FOR A-4688 VALVE	
K-1631		SHIFT LEVER HSG	14456 ,17168 ,4304327	1	LOW	
K-1644		QUILL REPLACEMENT KIT	16833 ,16834	1		
K-1698		-O- RING/ELEMENT KIT		1	FOR A-4740 FILTER REGULATOR	
K-1699		REPAIR KIT-SLAVE VALVE		1	FOR A-4688 VALVE	
K-1793		SMALL PARTS KIT		1		
K-1826		MASTER VALVE REPAIR KIT		1	FOR A-4900 VALVE	
K-1874		BASIC REBUILD KIT		1		
K-1935		REPAIR KIT-SLAVE VALVE		1	FOR A-5000 VALVE	
K-1956		COOLER INSTLN KIT		1		
K-1957		CYL KIT-SPLITTER		1		
K-1961		GEAR KIT - SPLITTER		1	RT	
K-1962		GEAR KIT - SPLITTER		1	RTO	
K-1963		VALVE CONVERSION KIT		1	CONVERTS A-4688 TO A-5000 VALVE	
K-1969		SLEEVE KIT	14362 19460 ,21446	1	FOR SLAVE VALVE	K-1963
K-1972		BASIC OVERHAUL KIT		1		
K-2002		-O- RING KIT		1	FOR RANGE CYLINDER	
K-2003		PIN & BUSHING KIT		1		
K-2013		VALVE CONV KIT		1	FOR A-4900 VALVE	
K-2053		MASTER VALVE REPAIR KIT		1	FOR A-5313 VALVE	
K-2199		GASKET KIT		1		K-1874,K-1972,K-2280,K-2341
K-2256		OIL SEAL KIT	14337 ,19109 ,21036	1		
K-2262		OIL SEAL W/SLINGER	19109 20807 20808	1	"FOR MECHANICAL COVER"	K-2280,K-2340,K-2341
K-2280		BASIC REBUILD KIT		1	W/TAPERED BEARING	
K-2316		REPL KIT-DRIVE GEAR	4300463 ,4300547	1		
K-2340		BASIC OVERHAUL KIT		1	AUX. SECTION - W/TAPERED BEARING	
K-2341		BASIC OVERHAUL KIT		1	W/TAPERED BEARING	
K-2394		AIR SYSTEMS TOOL KIT		1		
K-2402		COVER & SCREW KIT	20513 ,4300751	1		
K-2424		VALVE REPLACEMENT KIT	19470	1		
K-2428		LEVER REPLACEMENT KIT		1	LOW TOWER	
K-2429		LEVER REPLACEMENT KIT		1	HIGH TOWER	
K-2430		SHIM KIT	21452	1		K-2280,K-2340,K-2341,S-2262
K-2439		KEY & WASHER KIT		1	CONTAINS 3-SIDED KEY	
K-2468		CLUTCH INSTALLATION KIT		1	FOR USE WITH S-1659 INPUT SHAFT ASSY AND 81504 INPUT SHAFT BEARING	
K-2934		COUNTERSHAFT REPL KIT	19549	1		
K-2973		SHIFT LEVER HSG KIT	17166 ,17167 ,4303050 ,4304910 ,K - 1630 K -	1	HIGH TOWER	

Item	Current Part	Description	Replaced Part	Qty.	Notes	Kits/Assys Where Needed
			1941			
K-3155		WASHER UPDATE KIT		1		
K-3193		MASTER VALVE REPAIR KIT		1	FOR A-6913 VALVE	
K-3195		MASTER VALVE REPAIR KIT		1	FOR A-7313 VALVE	
K-3217		IDLER SHAFT REPL KIT	4302981	1		
K-3331		SPLITTER VLV REPL KIT	4300927 4304031 .4304032 ,A - 6862	1		K-1010
K-3367		OIL PUMP KIT	4301829 ,4301948 .4303776 ,4304529 .4304572 A - 6963 ,A - 7173	1		
K-3399		ISOLATOR BUSHING KIT	21244 ,23311	1		
K-3467		PIN REPLACEMENT KIT	21245	1		
K-3491		SYNCHRONIZER KIT	K - 2445	1	LO RANGE / SMALL PIN	
K-3492		SYNCHRONIZER KIT	K - 2446	1	LO RANGE / LARGE PIN	
K-3494		SYNCHRONIZER REPLACEMENT KIT	K - 2448	1	SLIDING CLUTCH INCLUDED IN KIT	
K-3651		OIL SEAL TOOL KIT		1		
K-4125		CLUTCH INSTALLATION KIT (RT), HYDRAULIC RELEASE		1	STANDARD RT INPUT SHAFT AND YOKE FOR HYDRAULIC CLUTCH RELEASE	
S-1128		INPUT SHAFT	16465	1	2" PULL	
S-1219		YOKE ASSY LOW-REV		1		
S-1341		MAINSHAFT ASSY	16761 ,18729	1		
S-1404		OIL FILTER	17238	1		
S-1409		INPUT SHAFT	18837	1	2" PULL W/SEAL	
S-1440		SHIFT BAR HSG (STD)	15890 15928 ,16913 .17115 ,17180 ,17182 17428 ,18571 ,18640 .18644 ,18840 18847 .19448 ,19449 ,19453 .19454 19455 ,19605 .20074 ,20210 ,20211 21133 ,22955 ,S - 1360 .S - 1364 ,S - 1376 S - 1377	1	HOUSING ONLY	
S-1441		SHIFT BAR HSG (F)	15891 16340 ,16564 .17114 ,17128 ,17181 17218 ,17492 ,17577 .17900 ,18203 18436 .18642 ,18646 ,18886 .19159 19450 ,19451 .19456 ,19457 ,19458 19717 ,19956 ,20072 .20212 ,20213 21134 .22956 ,S - 1106 ,S - 1361 ,S - 1370 S - 1374 .S - 1375 ,S - 1378	1	HOUSING ONLY	
S-1454		RANGE SECTION ASSY		1	RT	
S-1455		RANGE SECTION ASSY		1	RTO	
S-1455R		REMAN RANGE SECTION ASSY		1	RTO	
S-1516		CAP ASSY	20851 ,20853	1	FOR A-5000 VALVE	
S-1519		CASE ASSY	20500	1	FOR USE W/INTEGRAL PUMP	
S-1529		SHIFT BAR HSG ASSY (F)	20213 ,22956	1	COMPLETE	
S-1531		SHIFT BAR HSG ASSY (STD)	20211 ,22955	1	COMPLETE	
S-1659		INPUT SHAFT	20535 23566 4302661	1	2" PULL - USE W/FBC 20550	K-1972,K-2341,K-2468,K-4125
S-1794		ISOLATOR ASSY		1		
S-1820		CASE ASSY	4300445	1	FOR USE W/INTEGRAL PUMP FOR TAPERED ROLLER BEARINGS EXTENDED	
S-2119		REAR BRG COVER ASSY	20048 ,22045 ,4302009 .4302031 ,S - 1558 S - 1560	1		
S-2129		SHIFT LEVER HSG ASSY		1	LOW TOWER	
S-2130		SHIFT LEVER HSG ASSY	S - 2053	1	HIGH TOWER	
S-2151		REAR BRG COVER ASSY	S - 1429	1		
S-2262		RANGE SECTION ASSY		1	RTO - FOR TAPERED BEARING DESIGN	
S-2262R		REMAN RANGE SECTION		1	RTO - FOR TAPERED BEARING	

Item	Current Part	Description	Replaced Part	Qty.	Notes	Kits/Assys Where Needed
	S-2628	ASSY ROADRANGER VALVE	A - 5038	1	DESIGN RT - W/SHIFT DIAGRAM	
	S-2688	ASSY MAINSHAFT ASSY	4303404 4303913	1	MEDALLION	K-3155

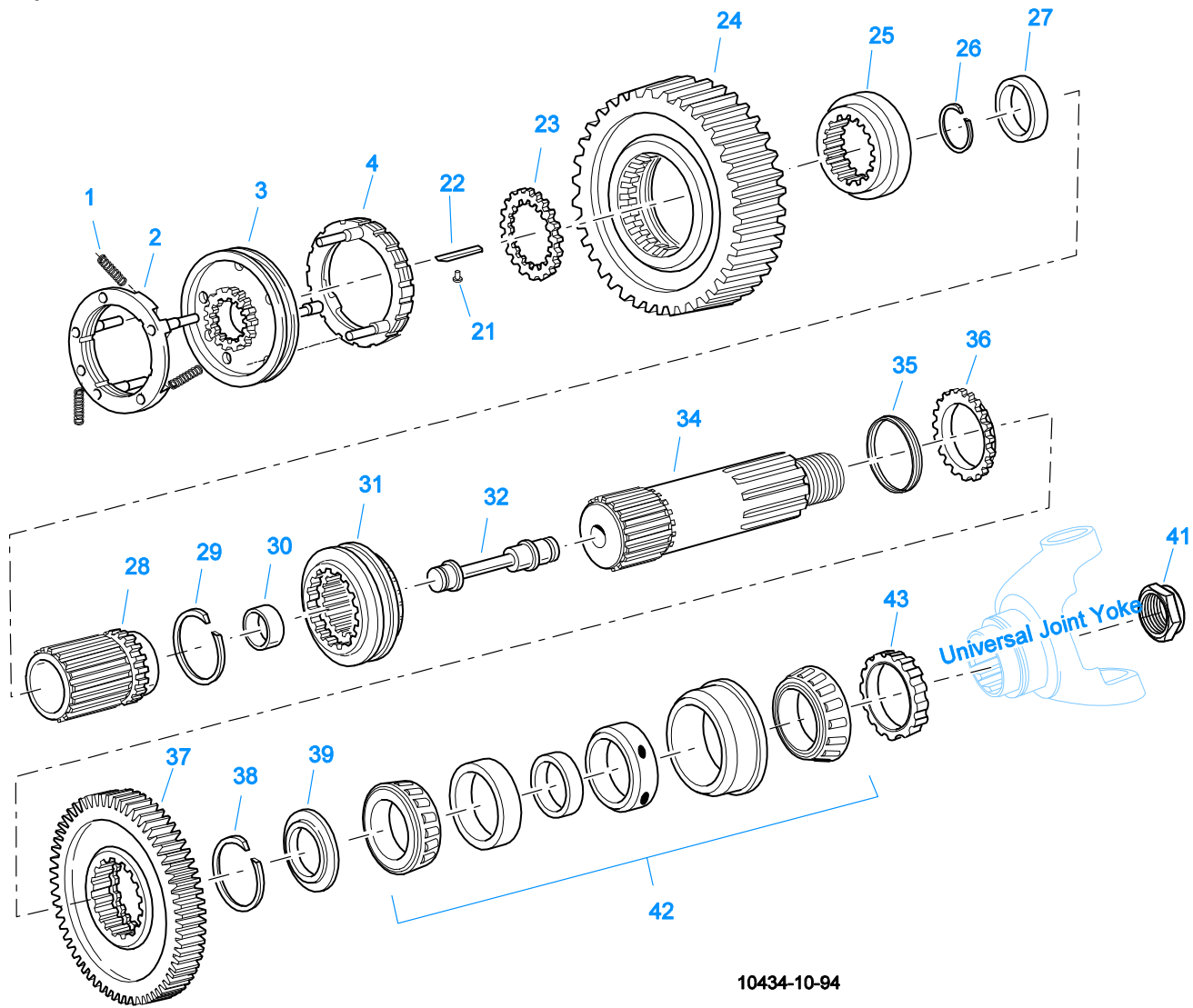


10202-6-94

## LEVERS/HOUSINGS

Item	Current Part	Description	Replaced Part	Qty.	Notes	Kits/Assys Where Needed
4	X-8C-604	CAPSCREW		4	3/8"-16X1-1/4"	S-1529,S-1531
22	S-1579	SHIFT TOWER ASSY		1	HIGH TOWER	
22	S-1677	SHIFT TOWER ASSY		1	LOW TOWER	
23	K-2428	LEVER REPLACEMENT KIT		1	LOW TOWER	
23	K-2429	LEVER REPLACEMENT KIT		1	HIGH TOWER	
33	S-2129	SHIFT LEVER HSG ASSY		1	LOW TOWER	
33	S-2130	SHIFT LEVER HSG ASSY	S - 2053	1	HIGH TOWER	
56	K-2973	SHIFT LEVER HSG KIT	17166 ,17167 ,4303050 ,4304910 ,K - 1630 K -	1	HIGH TOWER	

Item	Current Part	Description	Replaced Part	Qty.	Notes	Kits/Assys Where Needed
			1941			
57	X-1-500	NUT		1	5/16"-24	
58	X-3-500	LOCKWASHER		1	5/16"	
60	10427	BOOT		1		K-1476,K-2973,S-1579,S-1677,S-2130
61	K-1631	SHIFT LEVER HSG	14456 ,17168 ,4304327	1	LOW, USE W/14795 BOOT	
62	6541	PIN		1	3/8"	
63	4305294	GASKET	4303431	1		K-1476,K-1631,K-2199,K-2428,K-2429,K-2973,S-1529,S-1531,S-1579,S-1677,S-2129,S-2130
64	17600	GEAR SHIFT LEVER		1	STRAIGHT - LOW 21-1/2"	
64	18482	GEAR SHIFT LEVER		1	STRAIGHT - HIGH 35"	
65	2538	RETAINER		1		K-1476,K-2973,S-1579,S-1677,S-2130
66	2536	SPRING		1		K-1476,K-2973,S-1579,S-1677,S-2130
68	K-3376	O-RING & WASHER KIT	4301211	1		
69	18299	PIN		1		K-1476,S-1677
70	K-1476	SHIFT LEVER HSG	4530 ,17163 ,18298 ,4304905 ,A - 4437	1	LOW TOWER	
71	11934	STUD	7467	4		
72	X-1-600	NUT		4	3/8"-24-N.F.PLAIN	
73	X-3-600	LOCKWASHER		4	3/8"	
74	14453	CLAMP		1		
75	14795	BOOT		1		
76	14454	CLAMP		1		
77	X-1-604	NUT		4	3/8"-24	
78	14461	PIN		1		
79	14236	NO LONGER AVAILABLE		4		
80	X-1-600	NUT		1	3/8"-24-N.F.PLAIN	
81	X-3-600	LOCKWASHER		1	3/8"	



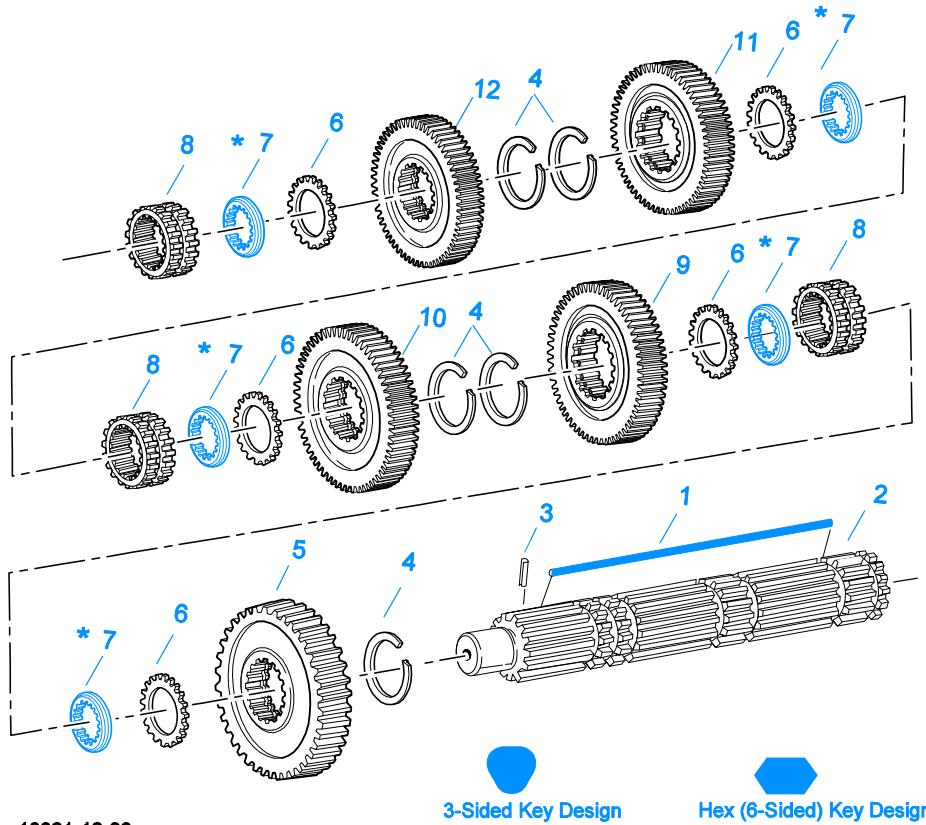
10434-10-94

## MAINSHAFT & SYNCHRO(AUX)

Item	Current Part	Description	Replaced Part	Qty.	Notes	Kits/Assys Where Needed
1	14897	SPRING		3		K-1554,K-1793,K-1874,K-1972,K-2280,K-2340,K-2341,K-3491,K-3492,K-3494
2	A-7331	SYNCHRONIZER ASSY	4304396 4304397 A - 5917	1	HI RANGE	K-3491,K-3492,K-3494
3	20323	SLIDING CLUTCH		1		K-3494
4	A-6153	SYNCHRONIZER ASSY	A - 4416	1	LO RANGE - SMALL PIN	K-3491
4	A-7254	SYNCHRONIZER ASSEMBLY	A - 4937 A - 5876	1	LO RANGE - LARGE PIN	K-3492,K-3494
21	14832	PIN		1		A-3697
22	A-3697	KEY & PIN ASSY	15516	1		K-1554,K-1793,K-2340
23	15932	WASHER .202-.204 BLACK		1		
23	17257	WASHER .206-.208 PURPLE		1		K-1793
23	17258	WASHER .210-.212 YELLOW		1		
24	20388	REDUCTION GEAR	19223	1		
25	4303859	MAINSHAFT COUPLER	19131	1		K-1961,K-1962
26	14291	SNAP RING		1		K-1554,K-1793,K-1874,K-1972,K-2280,K-2340,K-2341



Item	Current Part	Description	Replaced Part	Qty.	Notes	Kits/Assys Where Needed
27	81547-BOX	BEARING	81547	1		K-1554,K-1874,K-1972,K-2280,K-2340,K-2341
28	K-1546	REPL KIT-MAINSHAFT	15948 ,18134	1		
29	18135	SNAP RING		1		K-1546,K-1793
30	16516	BUSHING		1		K-1874,K-1972,K-2280,K-2341
31	19132	SLIDING CLUTCH		1		K-1961,K-1962
32	K-1644	QUILL REPLACEMENT KIT	16833 ,16834	1		
34	A-4414	MAINSHAFT ASSY	18018 ,20387 ,A - 4975	1		
35	18019	WASHER		1		K-1793
36	18251	SPACER	16316	1		K-1793,K-1961,K-1962
37	20917	SPLITTER GEAR	19663	1		K-1962
38	14327	SNAP RING		1		K-1793
39	16315	WASHER		1		K-1793
41	22254	NUT	11956	1		S-1454,S-1455,S-2262
42	15260	BEARING		1		K-1554,K-1874,K-1972,K-2280,K-2340,K-2341
43	20191	ROTOR		1		



10321-12-93

**\* Updating to 3-Sided Key is Recommended.**  
**When Updating to 3-Sided Key Replace all Washers to Match Key Design**  
**Always Use Matching Key and Washer Sets (See Appendix - Mainshaft Washers)**

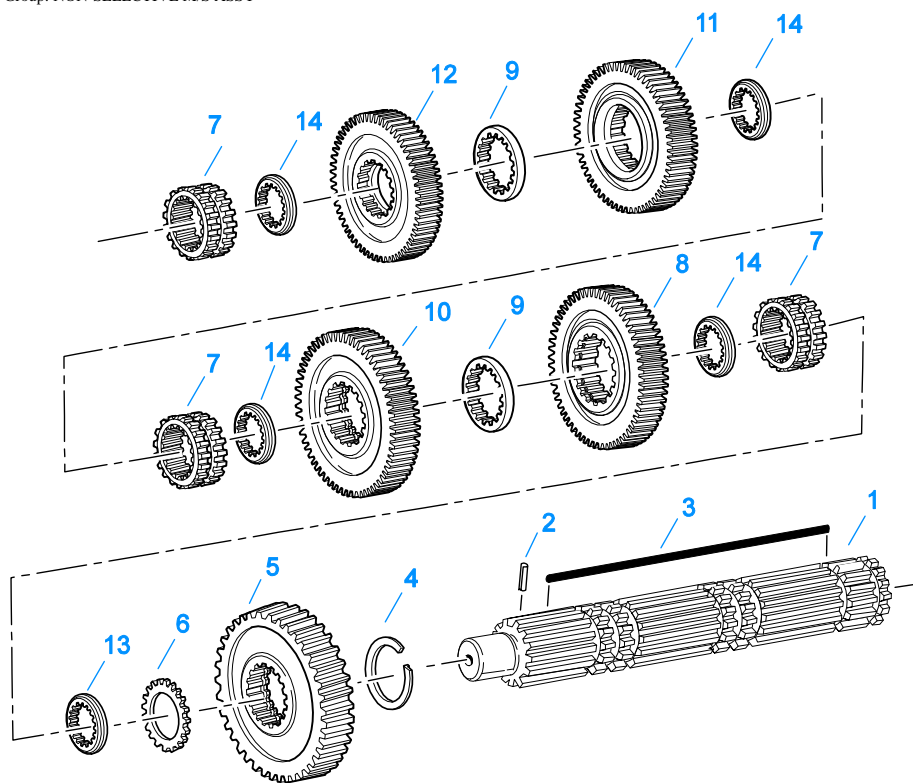
**MAINSHAFT ASSY**

Item	Current Part	Description	Replaced Part	Qty.	Notes	Kits/Assys Where Needed
1	17109	HEX (6-SIDED) KEY		1	MUST USE MATCHING WASHERS	
1	4304615	3-SIDED KEY	4300120	1		K-2439
1	K-2439	KEY & WASHER KIT		1	CONTAINS 3-SIDED KEY	
2	S-1341	MAINSHAFT ASSY	16761 ,18729	1		K-3155
2	S-2688	MAINSHAFT ASSY	4303404 4303913	1		S-1341,S-2688
3	62504	ROLL PIN		1		K-1793,K-1874,K-1972,K-2280,K-2341,K-2468,K-4125
4	14750	SNAP RING		5		
5	16756	REVERSE GEAR-MAINSHAFT	22408	1		
6	14749	SPACER		5		K-1793
7	14711	WASHER .248-.250 WHITE	18701	5	OPTIONAL 14711-14716 USE ANY 5 WASHERS USE WITH 17109 KEY	K-1793
7	14712	WASHER .253-.255 GREEN	18702	5	OPTIONAL 14711-14716 USE ANY 5 WASHERS USE WITH 17109 KEY	K-1793
7	14713	WASHER .258-.260 ORANGE	18703	5	OPTIONAL 14711-14716 USE ANY 5 WASHERS USE WITH 17109 KEY	K-1793
7	14714	WASHER .263-.265 PURPLE	18704	5	OPTIONAL 14711-14716 USE ANY 5 WASHERS USE WITH 17109 KEY	
7	14715	WASHER .268-.270 YELLOW	18705	5	OPTIONAL 14711-14716 USE ANY 5 WASHERS USE WITH 17109 KEY	
7	14716	WASHER .273-.275 BLACK	18706	5	OPTIONAL 14711-14716 USE ANY 5 WASHERS USE WITH 17109 KEY	
7	4300382	WASHER .249-WHITE		5		K-2439
7	4300383	WASHER .254-GREEN		5	OPTIONAL 4300382-4300387 OR	K-2439

Item	Current Part	Description	Replaced Part	Qty.	Notes	Kits/Assys Where Needed
7	4300384	WASHER .259-ORANGE		5	4300830 USE ANY 5 WASHERS. USE WITH 3-SIDED KEY OPTIONAL 4300382-4300387 OR	K-2439
7	4300385	WASHER .264-PURPLE		5	4300830 USE ANY 5 WASHERS. USE WITH 3-SIDED KEY OPTIONAL 4300382-4300387 OR	
7	4300386	WASHER .269-YELLOW		5	4300830 USE ANY 5 WASHERS. USE WITH 3-SIDED KEY OPTIONAL 4300382-4300387 OR	
7	4300387	WASHER .274-BLACK		5	4300830 USE ANY 5 WASHERS. USE WITH 3-SIDED KEY OPTIONAL 4300382-4300387 OR	
7	4300830	WASHER .244-BLUE		5	4300830 USE ANY 5 WASHERS. USE WITH 3-SIDED KEY	K-2439
8	16118	SLIDING CLUTCH		3		K-1972,K-2341
9	16754	LO GEAR-MAINSHAFT		1		
10	20389	1ST GEAR-MAINSHAFT	19246	1		
11	20390	2ND GEAR-MAINSHAFT	19614	1		
12	20391	3RD GEAR-MAINSHAFT	19242	1		

## MISCELLANEOUS

Item	Current Part	Description	Replaced Part	Qty.	Notes	Kits/Assys Where Needed
20160		SHIFT DIAGRAM LABEL	19818	1	RT/RTF	
21075		WARNING LABEL		1		
4300764		SHIFT DIAGRAM LABEL	19819 ,20161	1	RTO/RTOF	
71203		SILICONE LUBE		1	8 OZ (236.59 CC)-FLEET SIZE	
71204		ADHESIVE SEALANT		1	0.5 CC (SINGLE APPLICATION SIZE)	K-1554,K-1874,K-1972,K-2280,K-2340,K-2341
71205		SEALANT		1	2 CC (SINGLE APPLICATION SIZE)	K-1972,K-2341
71206		SILICONE LUBE		1	4 CC (SINGLE APPLICATION SIZE)	K-1432,K-1447,K-1450,K-1451,K-1566,K-1699,K-1957,K-2002,K-2428,K-2429,K-3331

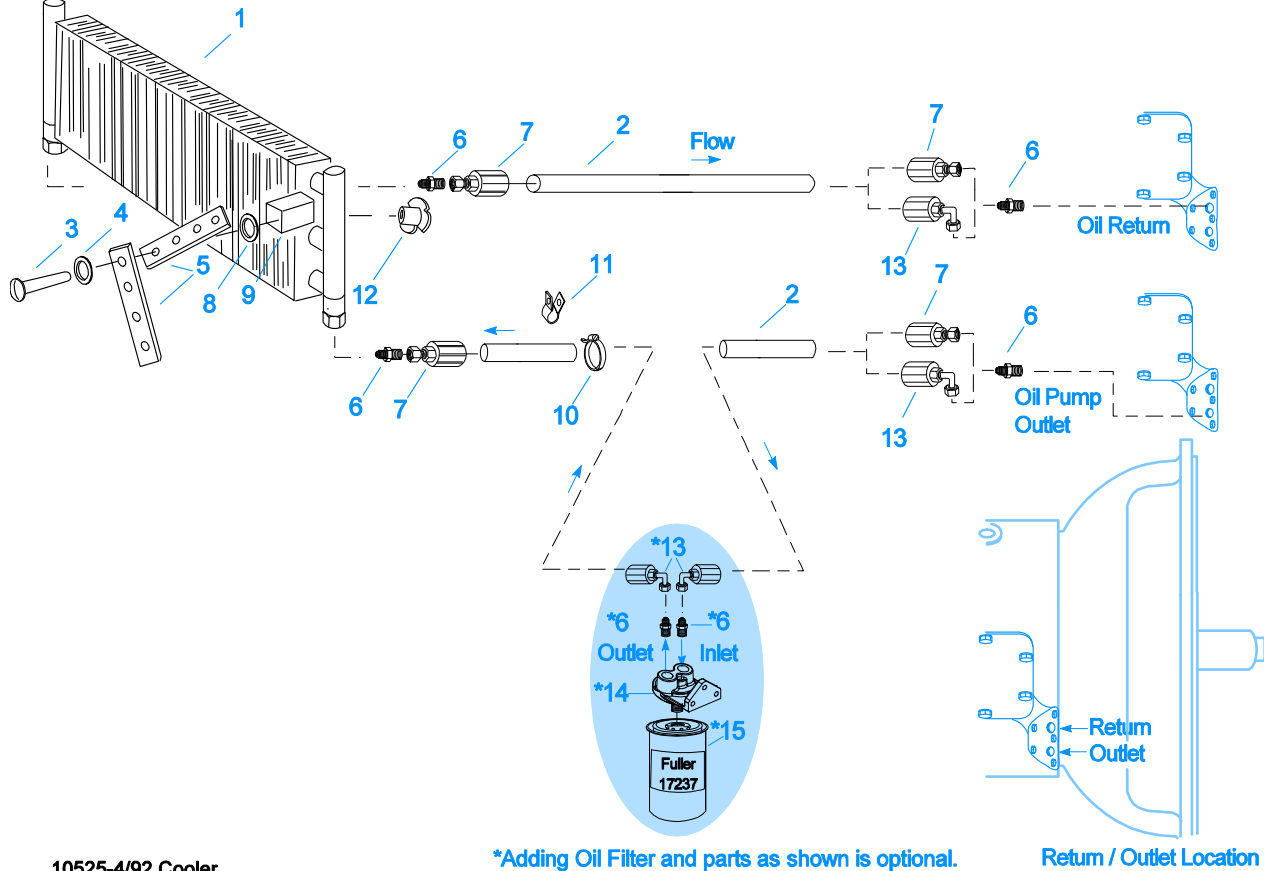


10337A-10-96

### NON-SELECTIVE M/S ASSY

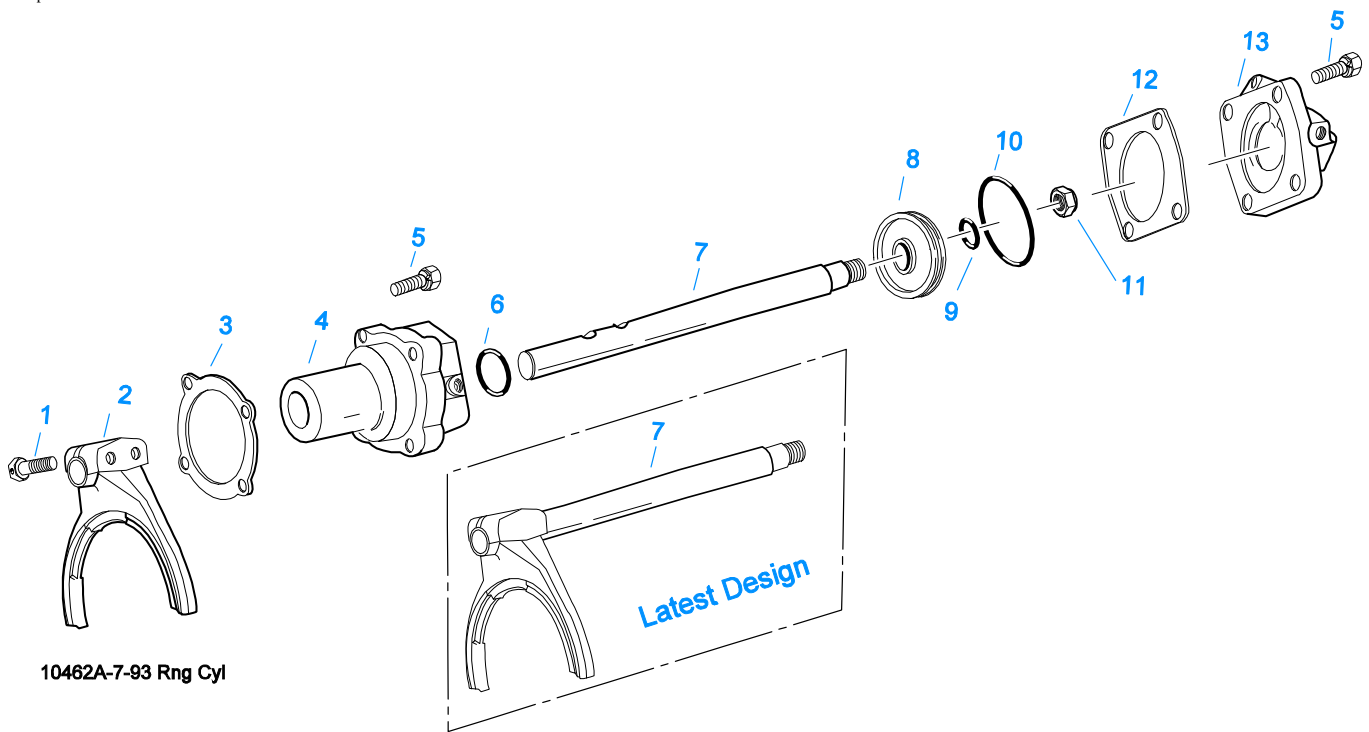
Item	Current Part	Description	Replaced Part	Qty.	Notes	Kits/Assys Where Needed
1	S-2688	MAINSHAFT ASSY	4303404 4303913	1		K-3155
2	62504	ROLL PIN		1		S-1341,S-2688
3	4304614	3-SIDED KEY	4300890	1		K-3155
4	14750	SNAP RING		1		K-1793,K-1874,K-1972,K-2280,K-2341,K-2468,K-4125
5	16756	REVERSE GEAR-MAINSHAFT	22408	1		
6	14749	SPACER		1		K-1793
7	16118	SLIDING CLUTCH		3		K-1972,K-2341
8	4303409	LO GEAR-MAINSHAFT	4303407	1		K-3155
9	4303603	WASHER	4302397	2		K-3155
10	4303477	1ST GEAR-MAINSHAFT	4303414	1		K-3155
11	4302384	2ND GEAR-MAINSHAFT	4302385	1		K-3155
12	4303476	3RD GEAR-MAINSHAFT	4303452	1		K-3155
13	4300830	WASHER .244-BLUE		1		K-2439
14	4302398	WASHER		4		K-3155

Group: OIL COOLER



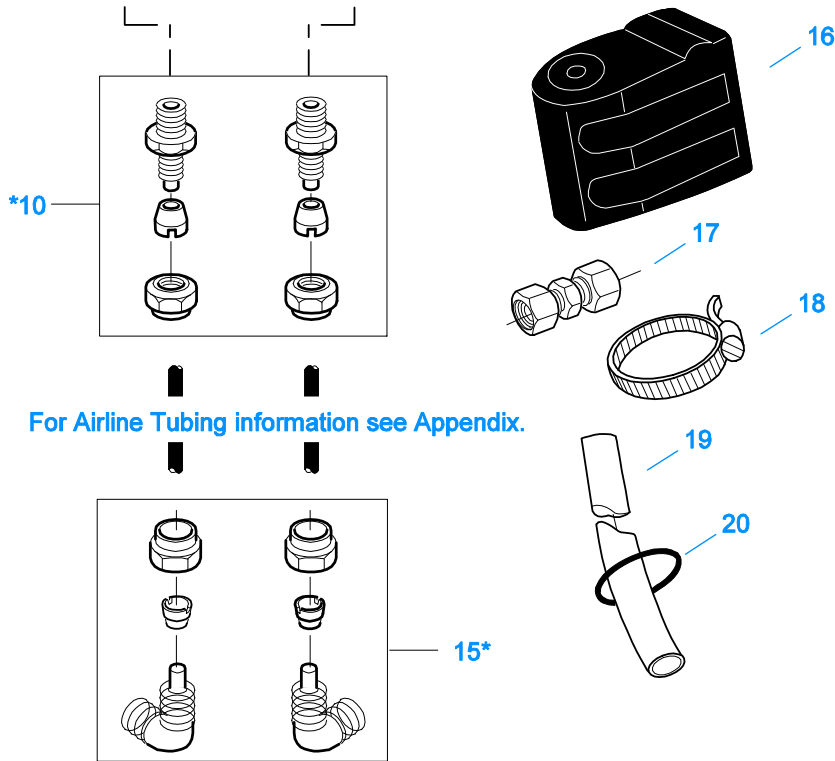
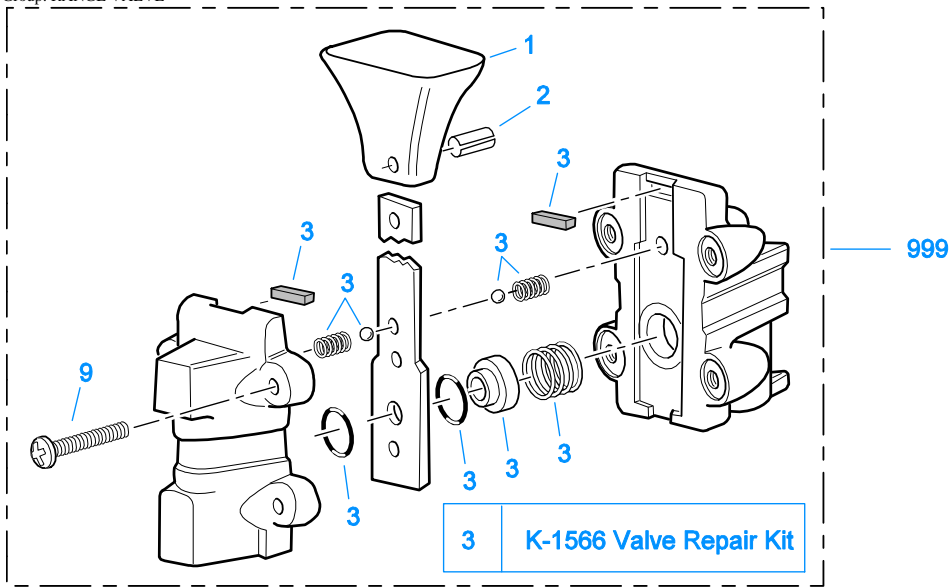
## OIL COOLER

Item	Current Part	Description	Replaced Part	Qty.	Notes	Kits/Assys Where Needed
1	18025	OIL COOLER		1		K-1956
2	19424	HOSE		1	25 FEET	K-1956
3	X-8-535	CAPSCREW		2	5/16"-16X2-1/2"	
4	X-3-506	LOCKWASHER		2	5/16"	
5	18211	BRACKET		4		K-1956
6	19419	CONNECTOR		6		K-1956,S-1404
7	19415	SWIVEL		4		K-1956
8	X-10-501	WASHER		2	5/16"	
9	18209	PLUG-RUBBER MOUNT		2		K-1956
10	17190	STRAP		8		K-1956
11	19423	CLAMP		5		K-1956
12	18210	NUT		2		K-1956
13	19422	ELBOW		4		K-1956
14	S-1404	OIL FILTER	17238	1		
15	17237	FILTER ELEMENT		1		S-1404



## RANGE CYLINDER

Item	Current Part	Description	Replaced Part	Qty.	Notes	Kits/Assys Where Needed
1	X-7-809	BOLT	X 7 810 ,X 7 811	2	1/2"-20X1-3/4"	
2	22823	SHIFT YOKE	16775	1		
3	14347	GASKET		1		K-1432,K-1603,K-2199
4	16777	AUXILIARY CYLINDER		1		K-1432
5	X-8L-604	CAPSCREW		8	3/8"-16X1-1/4"	
6	14765	-O- RING		1		K-1432,K-1447,K-1450,K-2002
7	16776	YOKE BAR		1		
7	A-6161	WELDED YOKE & BAR ASSY	4300599	1		
8	14341	PISTON	23353	1		K-1432
9	14345	-O- RING		1		K-1432,K-1447,K-1450,K-2002
10	14344	-O- RING		1		K-1432,K-1447,K-1450,K-2002
11	X-1-1010	NUT		1	5/8"-18	
12	14349	GASKET		1		K-1432,K-1447,K-1450,K-1603,K-2002,K-2199
13	19690	CYLINDER COVER		1		



\*For Connector and Elbow Assy component information see Appendix

10099-5/93 AV

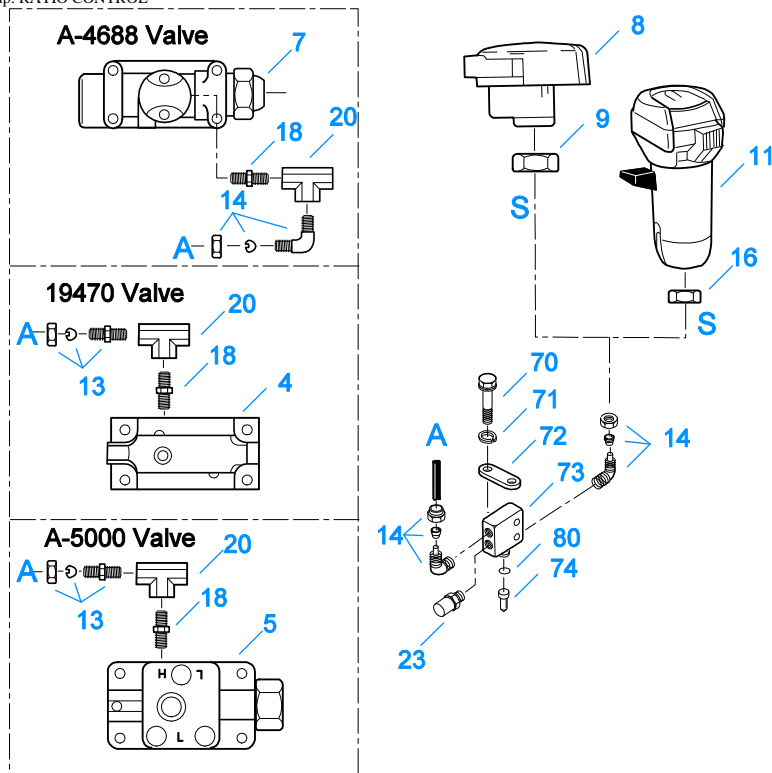
## RANGE VALVE

Item	Current Part	Description	Replaced Part	Qty.	Notes	Kits/Assys Where Needed
1	15120	KNOB		1		A-3546
2	62512	ROLL PIN		1		A-3546
3	K-1566	VALVE REPAIR KIT		1	FOR A-3546 VALVE	
9	X-13-214	SCREW		4	8-32X3/4"	
10	84002	CONNECTOR ASSY	82502	2	1/8" TUBE-1/8" NPTF	K-1963, K-1972, K-2341
10	84004	CONNECTOR ASSY	82504	2	5/32" TUBE-1/8" NPTF	
10	84006	CONNECTOR ASSY		2	"PUSH-TO-CONNECT" 5/32" TUBE-	K-2013

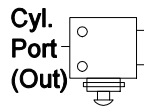


Item	Current Part	Description	Replaced Part	Qty.	Notes	Kits/Assys Where Needed
15	85001	ELBOW ASSY	84501	2	1/8"NPTF	
15	85002	ELBOW ASSY	84502	2	5/32"TUBE-1/8"NPTF	
15	85003	ELBOW ASSY		2	1/8"TUBE-1/8"NPTF	K-1554,K-1963,K-1972,K-2340,K-2341
16	18905	ELBOW ASSY		2	"PUSH-TO-CONNECT" 5/32"TUBE-1/8"NPTF	K-2013,K-3331
17	84101	NO LONGER AVAILABLE		1		
17	84101	UNION ASSY		1	1/8" TUBING	
17	84102	UNION ASSY		1	5/32" TUBING	
17	84103	UNION ASSY		1	"PUSH-TO-CONNECT" 5/32" TUBING	K-2013
18	14441	CLAMP	14465	1		
19	80120	SHEATHING (50 FT ROLL)		1	5/32" - BLACK 50'	
20	13571	-O- RING CLAMP		2		
999	A-3546	RANGE VALVE ASSY	18268 ,18269 ,18272	1		

Group: RATIO CONTROL



10504-10-94 RC



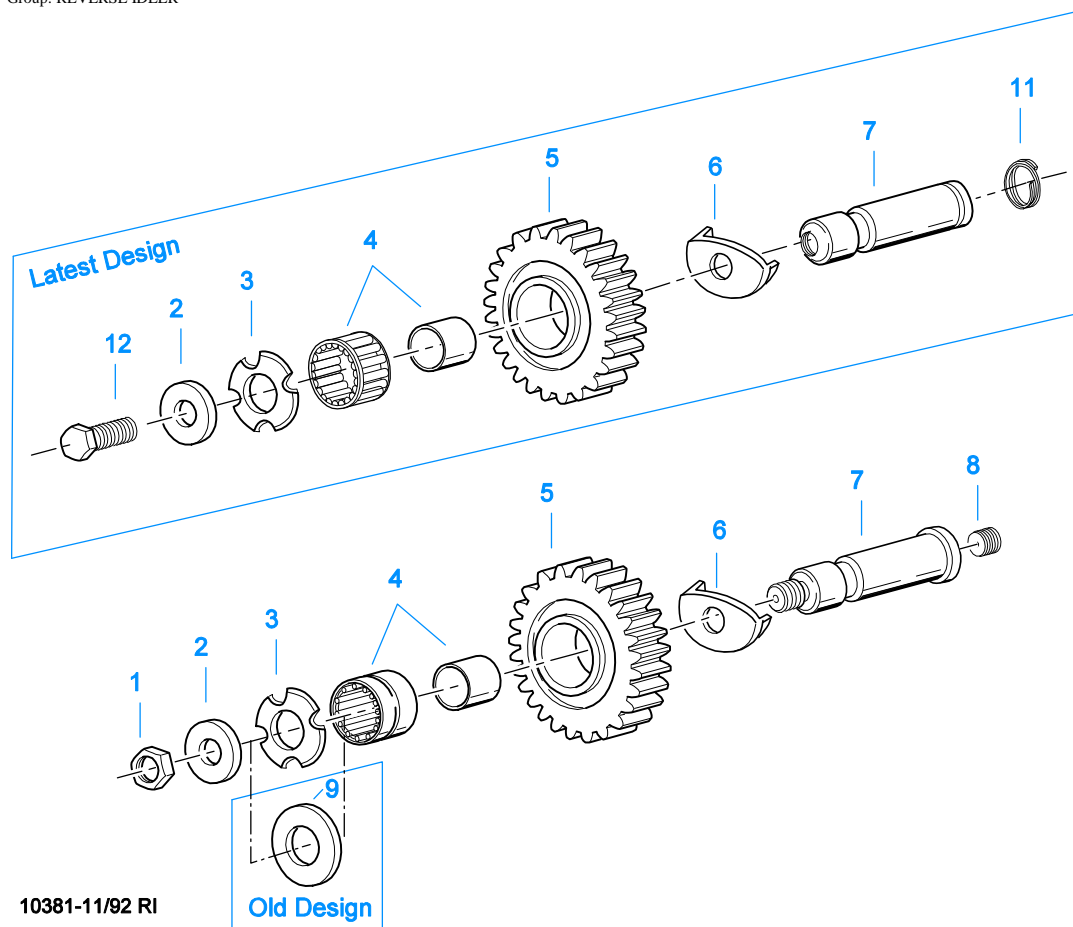
Cyl.  
Port  
(Out)

Install 7935 Breather In Unused Port  
Use For Lockout Of O.D. Except In 8th  
Use For Lockout Of O.D. In 8th Only

## RATIO CONTROL

Item	Current Part	Description	Replaced Part	Qty.	Notes	Kits/Assys Where Needed
4	K-2424	VALVE REPLACEMENT KIT	19470	1		
5	A-5000	SLAVE VALVE ASSY	20850	1		K-1963,K-2424
7	A-4688	SLAVE VALVE ASSY	15125,19464 ,A - 3991	1		
8	A-4491	SELECTOR VALVE	A - 4384	1	RTO/RTOF	
8	A-4493	SELECTOR VALVE	A - 4376	1	RT/RTF	
9	X-9-1001	NUT		1	5/8"-11	
11	A-6913	ROADRANGER VALVE ASSY	A - 4900	1	STANDARD-W/LOGO	K-2013
11	A-7313	ROADRANGER VALVE ASSY	A - 5313	1	(LEFT OF DRIVER)-W/LOGO	
11	S-2628	ROADRANGER VALVE ASSY	A - 5038	1	RT - W/SHIFT DIAGRAM MEDALLION	
13	84002	CONNECTOR ASSY	82502	1	1/8" TUBE-1/8" NPTF	K-1963,K-1972,K-2341
13	84004	CONNECTOR ASSY	82504	1	5/32" TUBE-1/8" NPTF	
13	84006	CONNECTOR ASSY		1	"PUSH-TO-CONNECT" 5/32" TUBE-1/8" NPTF	K-2013
14	85001	ELBOW ASSY	84501	3	5/32" TUBE-1/8" NPTF	
14	85002	ELBOW ASSY	84502	3	1/8" TUBE-1/8" NPTF	K-1554,K-1963,K-1972,K-2340,K-2341
14	85003	ELBOW ASSY		3	"PUSH-TO-CONNECT" 5/32" TUBE-1/8" NPTF	K-2013,K-3331
16	X-9-802	NUT		1	1/2"-13	
18	12769	NIPPLE		1	1/8"	K-1963
20	12881	TEE		1	1/8"	K-1963
23	7935	BREATHER		1		
70	X-8-434	CAPSCREW		2	1/4"-20X2"	
71	X-3-400	LOCKWASHER		2	1/4"	
72	20199	PLATE	18724	1		S-1440,S-1441,S-1529,S-1531
73	18734	VALVE		1		
74	15899	PIN		1		S-1440,S-1441,S-

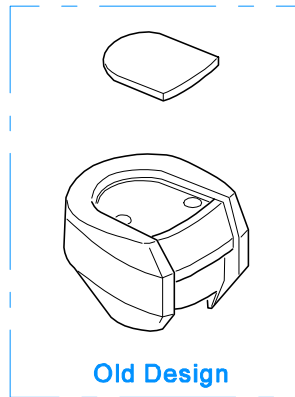
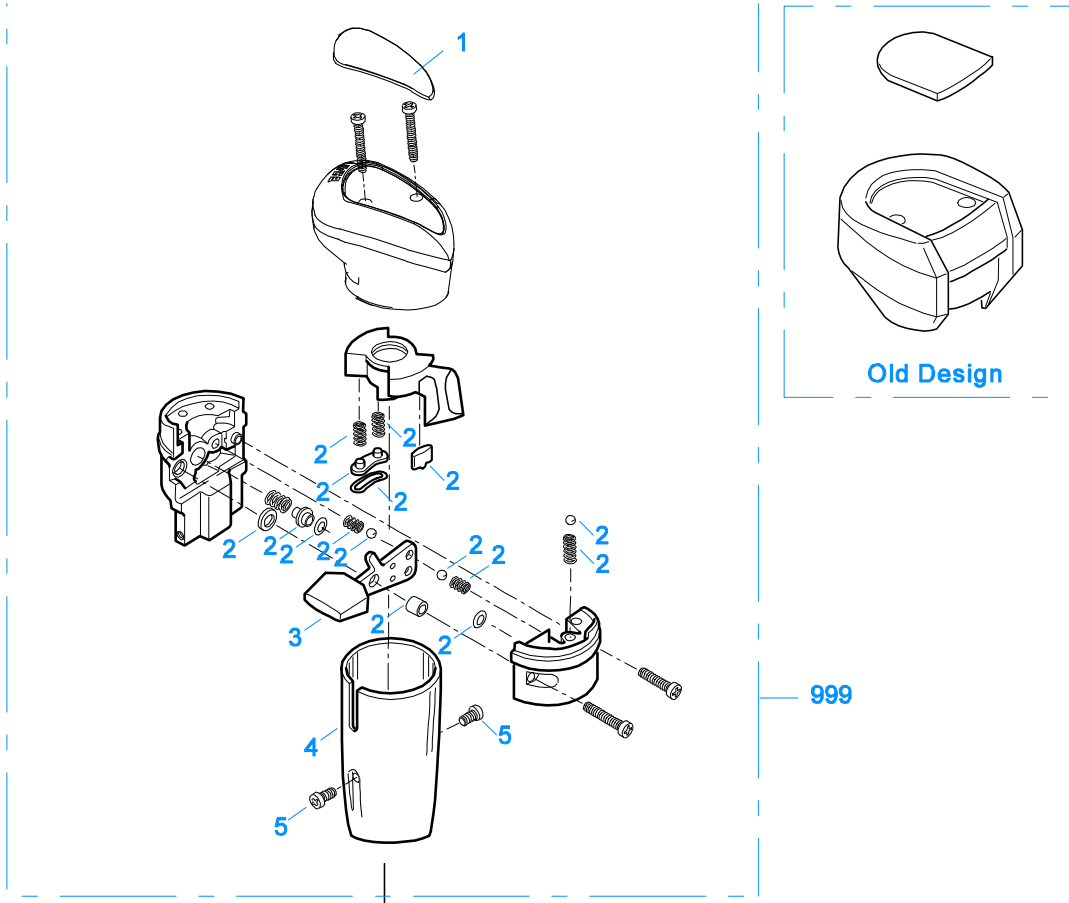
Item	Current Part	Description	Replaced Part	Qty.	Notes	Kits/Assys Where Needed
80	18656	NO LONGER AVAILABLE		1		1529,S-1531



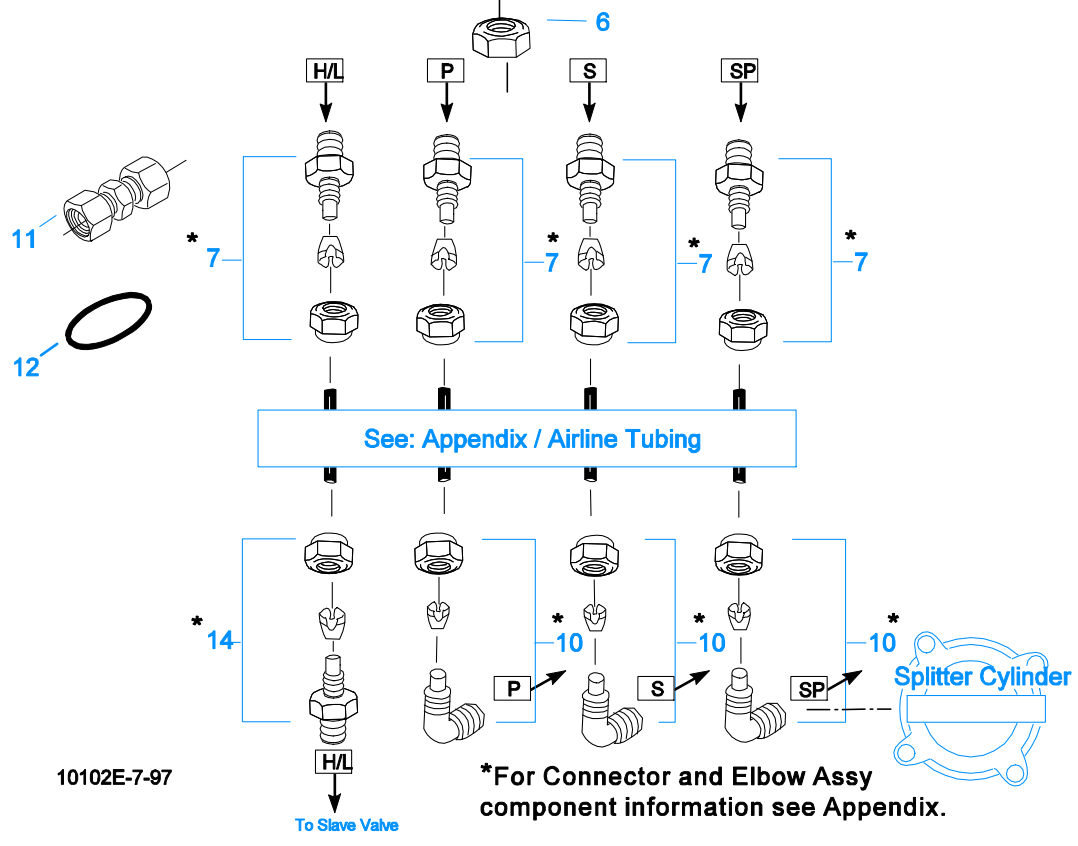
10381-11/92 RI

## REVERSE IDLER

Item	Current Part	Description	Replaced Part	Qty.	Notes	Kits/Assys Where Needed
1	X-1-1008	NUT		2	5/8"-18	
2	14283	WASHER		2		K-3217
3	4302982	WASHER	14282	2		K-3217,S-1519,S-1820
4	14287	BEARING	4305020	2		K-1874,K-1972,K-2280,K-2341
5	16757	REVERSE IDLER GEAR	22409	2		
6	16403	WASHER		2		K-3217
7	K-3217	IDLER SHAFT REPL KIT	4302981	2		
8	5202	PLUG		2		
9	14282	NO LONGER AVAILABLE		2		
11	4303336	RETAINING RING		2		K-3217
12	X-7-1008	CAPSCREW		2	5/8"-18X1-1/4	



999



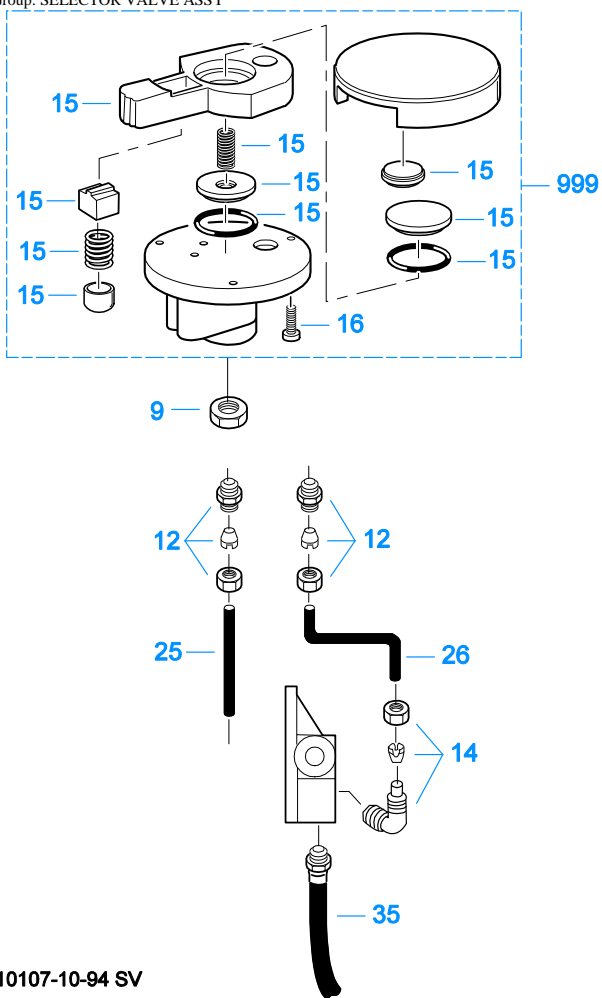
10102E-7-97

\*For Connector and Elbow Assy component information see Appendix.

## ROADRANGER VALVES

Item	Current Part	Description	Replaced Part	Qty.	Notes	Kits/Assys Where Needed
1	20107	MEDALLION, LOGO		1	(OLD DESIGN) FULLER LOGO ONLY	
1	21691	LOGO MEDALLION	4302349, 4300370	1	(OLD DESGIN) FULLER LOGO (LEFT OF DRIVER)	
1	5586100	MEDALLION, LOGO		1	(LATEST DESIGN) FULLER LOGO ONLY	A-6913,A-7313
1	5586104	SHIFT DIAGRAM MEDALLION		1	RT	S-2628
2	K-1826	MASTER VALVE REPAIR KIT		1	FOR A-4900 VALVE	
2	K-2053	MASTER VALVE REPAIR KIT		1	FOR A-5313 VALVE	
2	K-3193	MASTER VALVE REPAIR KIT		1	FOR A-6913 VALVE	
2	K-3195	MASTER VALVE REPAIR KIT		1	FOR A-7313 VALVE	
3	20495	LEVER		1		A-6913,A-7313
4	20112	COVER		1		A-6913,A-7313
5	X-8-213	SCREW	X 8 202	2	8-32X3/8"	
6	X-9-802	NUT		1	1/2"-13	
7	84001	CONNECTOR ASSY	82501	4	1/8" TUBE-1/16" NPTF	
7	84003	CONNECTOR ASSY	82503	4	5/32" TUBE-1/16" NPTF	
7	84005	CONNECTOR ASSY		4	"PUSH-TO-CONNECT" 5/32" TUBE-1/16" NPTF	K-2013
10	85001	ELBOW ASSY	84501	3	5/32" TUBE-1/8" NPTF	
10	85002	ELBOW ASSY	84502	3	1/8" TUBE-1/8" NPTF	K-1554,K-1963,K-1972,K-2340,K-2341
10	85003	ELBOW ASSY		3	"PUSH-TO-CONNECT" 5/32" TUBE-1/8" NPTF	K-2013,K-3331
11	84101	UNION ASSY		1	1/8" TUBING	
11	84102	UNION ASSY		1	5/32" TUBING	
11	84103	UNION ASSY		1	"PUSH-TO-CONNECT" 5/32" TUBING	K-2013
12	13571	-O- RING CLAMP		1		
14	84002	CONNECTOR ASSY	82502	1	1/8" TUBE-1/8" NPTF	K-1963,K-1972,K-2341
14	84004	CONNECTOR ASSY	82504	1	5/32" TUBE-1/8" NPTF	
14	84006	CONNECTOR ASSY		1	"PUSH-TO-CONNECT" 5/32" TUBE-1/8" NPTF	K-2013
999	A-6913	ROADRANGER VALVE ASSY	A - 4900	1	STANDARD-W/LOGO	K-2013
999	A-7313	ROADRANGER VALVE ASSY	A - 5313	1	(LEFT OF DRIVER)-W/LOGO	
999	S-2628	ROADRANGER VALVE ASSY	A - 5038	1	RT - W/SHIFT DIAGRAM MEDALLION	

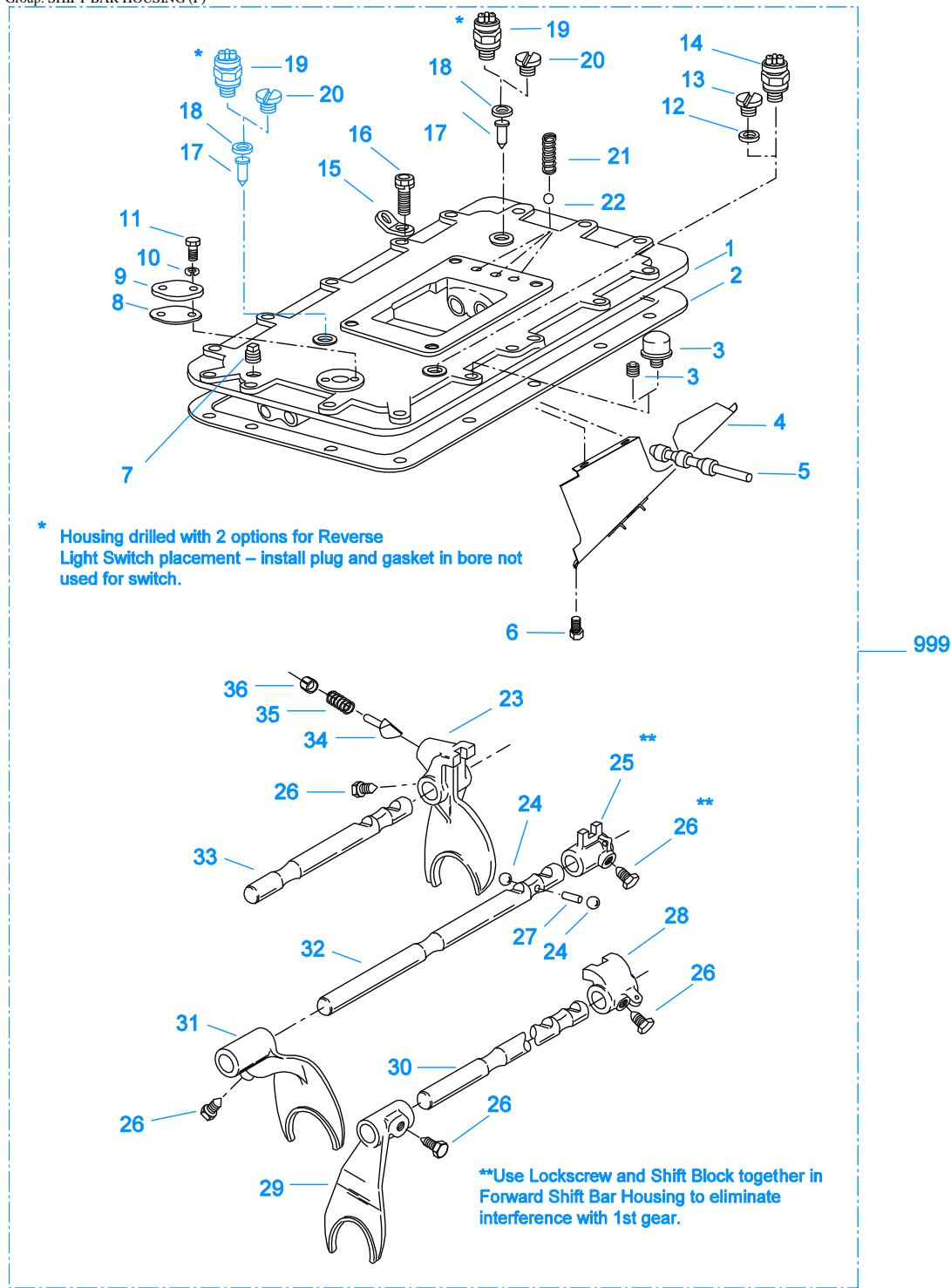
Group: SELECTOR VALVE ASSY



10107-10-94 SV

## SELECTOR VALVE ASSY

Item	Current Part	Description	Replaced Part	Qty.	Notes	Kits/Assys Where Needed
9	X-9-802	NUT		1	1/2"-13	
12	84001	CONNECTOR ASSY	82501	2	1/8" TUBE-1/16" NPTF	
14	85002	ELBOW ASSY	84502	1	1/8" TUBE-1/8" NPTF	K-1554, K-1963, K-1972, K-2340, K-2341
15	K-1550	REPAIR KIT-VALVE		1		
16	X-13-214	SCREW		3	8-32X3/4"	
25	68526	NYLON TUBE		1	1/8" - WHITE 50'	
26	82013	NYLON TUBE		1	1/8" - BLACK 50'	
35	55527	HOSE ASSY		1	15"	
999	A-4491	SELECTOR VALVE	A - 4384	1	RTO/RTOF	
999	A-4493	SELECTOR VALVE	A - 4376	1	RT/RTF	



10230-1/92 Forward

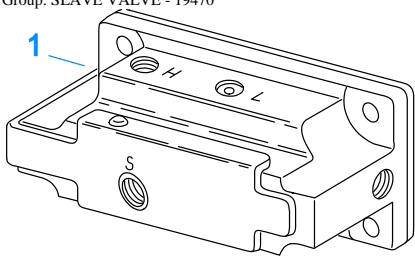
### SHIFT BAR HOUSING (F)

Item	Current Part	Description	Replaced Part	Qty.	Notes	Kits/Assys Where Needed
1	S-1441	SHIFT BAR HSG (F)	15891 16340 ,16564 ,17114 ,17128 ,17181 ,17218 ,17492 ,17577 ,17900 ,18203 18436 ,18642 ,18646 ,18886 ,19159 19450 ,19451	1	HOUSING ONLY	



Item	Current Part	Description	Replaced Part	Qty.	Notes	Kits/Assys Where Needed
			,19456 ,19457 ,19458 19717 ,19956 ,20072 .20212 ,20213 21134 .22956 ,S - 1106 ,S - 1361 ,S - 1370 S - 1374 ,S - 1375 ,S - 1378			
2	4302676	GASKET	14918	1		K-2199,S-1529,S-1531
3	4304602	BREATHER	23605	1	1/4" NPT	
3	X-12-404	PIPE PLUG		1	1/4" NPT	
4	20070	OIL TROUGH		1		S-1529,S-1531
5	20332	AIR VALVE SHAFT	17177	1		S-1529,S-1531
6	X-8-423	CAPSCREW		2	1/4"-20X1/2"	
7	X-12-603	PIPE PLUG	X12 602	1	3/8" NPT	
8	20209	GASKET		1		S-1440,S-1441,S- 1529,S-1531
9	20199	PLATE	18724	1		S-1440,S-1441,S- 1529,S-1531
10	X-3-400	LOCKWASHER		2	1/4"	
11	X-8-406	CAPSCREW		2	1/4"-20X3/4"	
12	17179	GASKET		1		S-1440,S-1441,S- 1529,S-1531
13	4303655	PLUG	17178	1		S-1440,S-1441,S- 1529,S-1531
14	22941	NEUTRAL LIGHT SWITCH	12639	1	SWITCH NORMALLY CLOSED	
15	20815	LIFTING EYE	17105	2		S-2262
16	X-8L-602	CAPSCREW		2	3/8"-16X1-1/2" USE W/20815 LIFTING EYES	
16	X-8L-604	CAPSCREW		16	3/8"-16X1-1/4"- OR USE 14 PCS OF X- 8L-604 WITH 2 PCS OF X-8L-602	
17	15899	PIN		1		S-1440,S-1441,S- 1529,S-1531
18	15900	GASKET		1		S-1440,S-1441,S- 1529,S-1531
19	22940	REVERSE LIGHT SWITCH	16830	1	SWITCH NORMALLY OPEN	
20	4303656	PLUG	15917	1		S-1440,S-1441,S- 1529,S-1531
21	15918	SPRING		3		K-1793,K-1972,K- 2341,S-1529,S-1531
22	X-14-800	STEEL BALL		3	1/2"	
23	16338	SHIFT YOKE		1	REVERSE/LO	S-1529
24	X-14-1200	STEEL BALL		2	3/4"	
25	15770	SHIFT BLOCK		1	1ST/2ND	
26	22943	LOCKSCREW		1	USE W/15770 SHIFT BLOCK	S-1529
26	3220	LOCKSCREW		4		S-1529,S-1531
27	1634	INTERLOCK PIN		1		K-1793,S-1529,S-1531
28	14912	SHIFT BLOCK		1	3RD/DIRECT	S-1529
29	16136	SHIFT YOKE		1	3RD/DIRECT	S-1529,S-1531
30	14909	YOKE BAR		1	3RD/DIRECT	S-1529
30	18641	YOKE BAR		1	3RD/DIRECT - W/RATIO CONTROL	
31	16135	SHIFT YOKE		1	1ST/2ND	S-1529,S-1531
32	14910	YOKE BAR		1	1ST/2ND	S-1529
33	14908	YOKE BAR		1	REVERSE/LO	S-1529
34	10019	PLUNGER		1		S-1219,S-1529,S-1531
35	6392	SPRING		1		S-1219,S-1529,S-1531
36	8968	PLUG		1		S-1219,S-1529,S-1531
999	S-1529	SHIFT BAR HSG ASSY (F)	20213 ,22956	1	COMPLETE	

Group: SLAVE VALVE - 19470

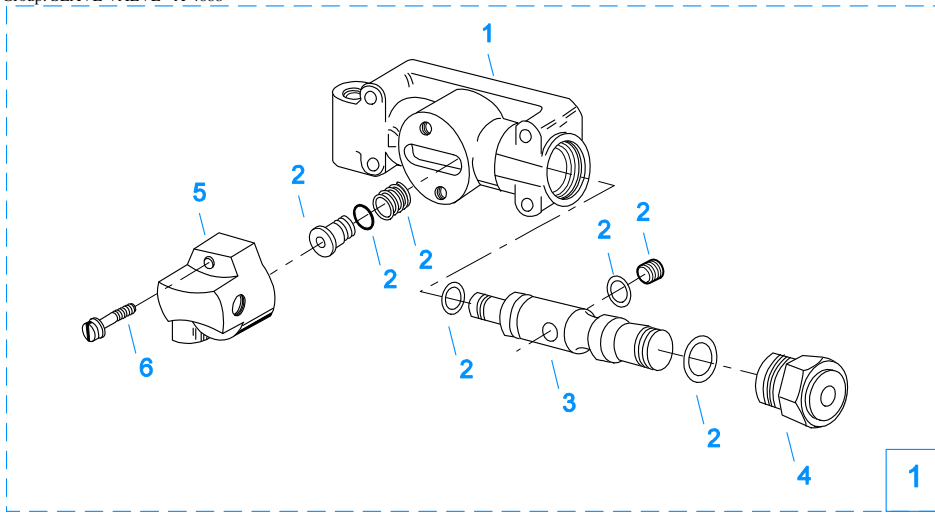


10121-1/92 19470 SV

## SLAVE VALVE - 19470

Item	Current Part	Description	Replaced Part	Qty.	Notes	Kits/Assys Where Needed
1	K-2424	VALVE REPLACEMENT KIT	19470	1		

Group: SLAVE VALVE - A-4688



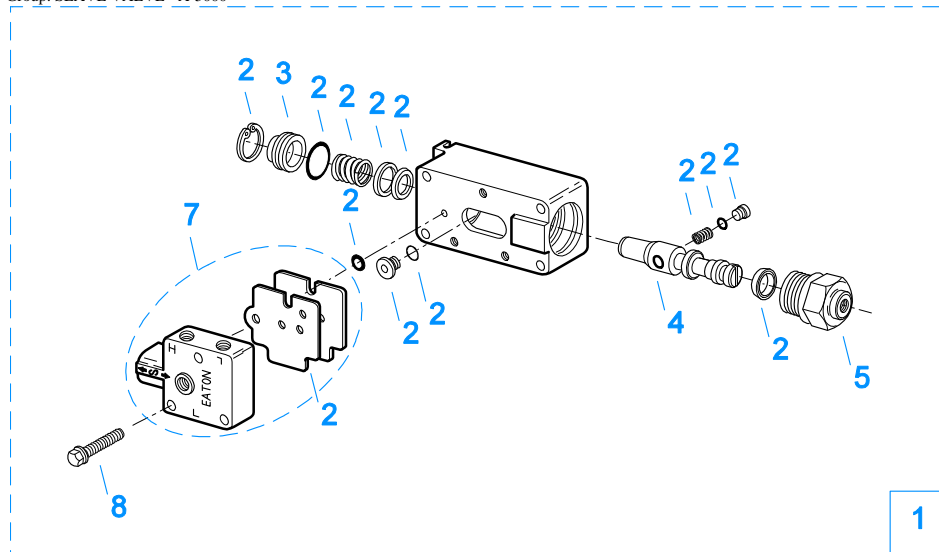
2 Repair Kit

10123-5/93 A-4688

### SLAVE VALVE - A-4688

Item	Current Part	Description	Replaced Part	Qty.	Notes	Kits/Assys Where Needed
1	A-4688	SLAVE VALVE ASSY	15125 ,19464 ,A - 3991	1		
2	K-1699	REPAIR KIT-SLAVE VALVE		1	FOR A-4688 VALVE	
3	19463	PISTON	15126	1		A-4688
4	20849	CAP	15131	1		A-4688,A-5000
5	K-1613	CAP REPLACEMENT KIT	16429 ,18707	1	FOR A-4688 VALVE	
6	X-8S-401	CAPSCREW		2	1/4"-20X1-1/8"	

Group: SLAVE VALVE - A-5000

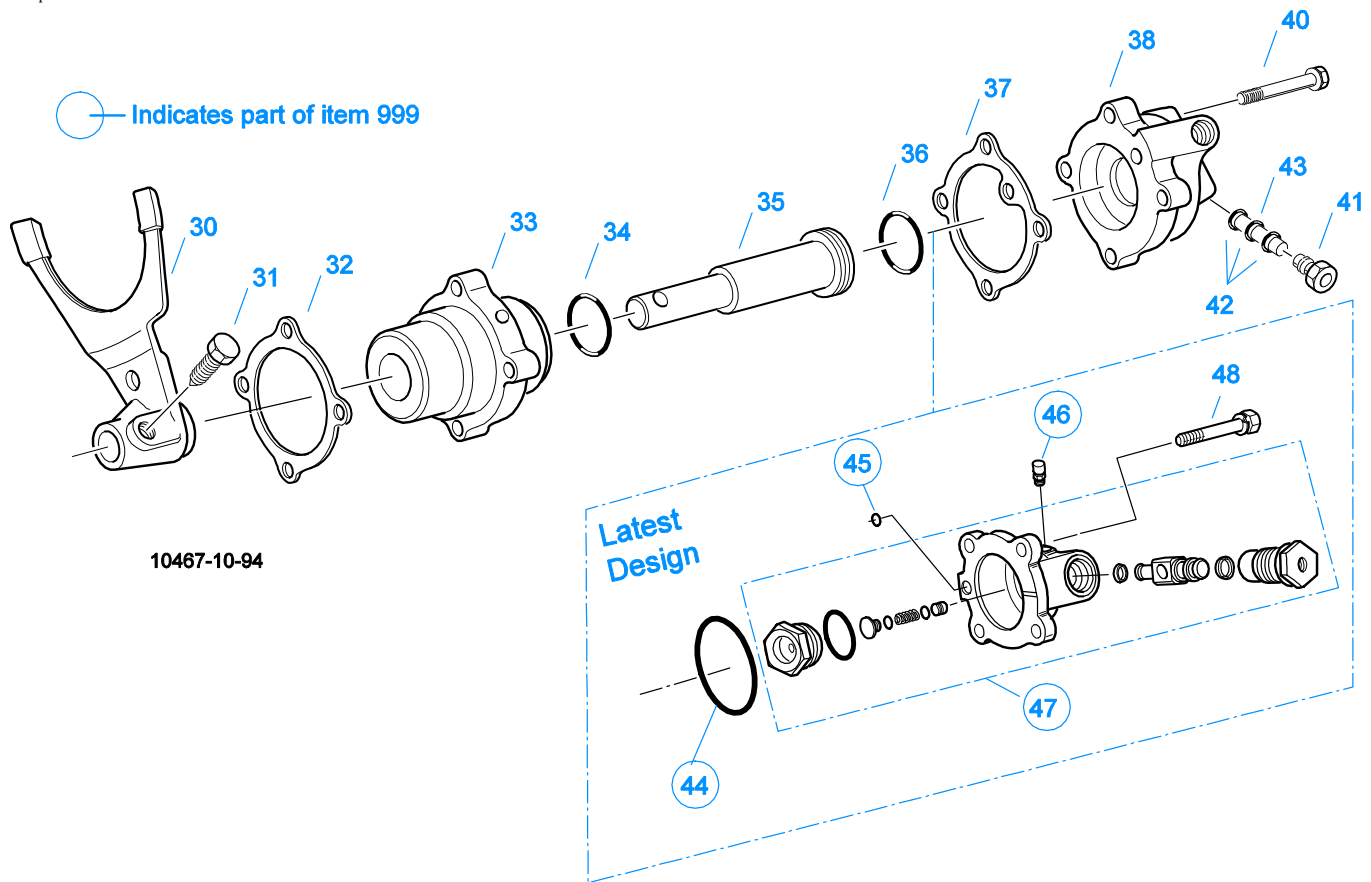


2 Repair Kit

10120-10-97 A-5000 SV

### SLAVE VALVE - A-5000

Item	Current Part	Description	Replaced Part	Qty.	Notes	Kits/Assys Where Needed
1	A-5000	SLAVE VALVE ASSY	20850	1		K-1963,K-2424
2	K-1935	REPAIR KIT-SLAVE VALVE		1	FOR A-5000 VALVE	
3	20855	PLUG		1		A-5000
4	20854	PISTON		1		A-5000
5	20849	CAP	15131	1		A-4688,A-5000
7	S-1516	CAP ASSY	20851 ,20853	1		
8	X-8C-413	CAPSCREW		3	1/4"-20X1-1/2"	



## SPLITTER CYLINDER

Item	Current Part	Description	Replaced Part	Qty.	Notes	Kits/Assys Where Needed
30	19128	SHIFT YOKE		1		K-1961,K-1962
31	3220	LOCKSCREW		1		S-1529,S-1531
32	14632	GASKET		1		K-1010,K-1603,K-1957,K-2199
33	17070	AUXILIARY CYLINDER		1	USE W/14621, 14644 & 16961	K-1010
33	21210	AUXILIARY CYLINDER		1	USE W/21208, 21209 & 21211	K-1957
34	14644	-O- RING		1	USE W/14621, 16961 & 17070	K-1010,K-1447,K-1451
34	21208	-O- RING		1	USE W/21209, 21210 & 21211	K-1554,K-1874,K-1957,K-1972,K-2002,K-2280,K-2340,K-2341
35	16961	YOKE BAR & PISTON		1	USE W/17070 CYLINDER	K-1010
35	21211	YOKE BAR & PISTON		1	USE W/21210 CYLINDER	K-1957
36	14621	-O- RING		1	USE W/14644, 16961 & 17070	K-1010,K-1447,K-1451
36	21209	-O- RING		1	USE W/21208, 21210 & 21211	K-1554,K-1874,K-1957,K-1972,K-2002,K-2280,K-2340,K-2341
37	17073	GASKET		1		K-1603,K-1957,K-2002,K-2199
38	K-3331	SPLITTER VLV REPL KIT	4300927 4304031 ,4304032 ,A - 6862	1		K-1010
40	X-8L-540	CAPSCREW		4	5/16"-18X1-7/8"	
41	15719	PLUG		1		
42	13653	-O- RING		3		K-1457,K-3331
43	19974	INSERT VALVE	15512 4303616	1		K-1554,K-1874,K-1972,K-2280,K-2340,K-2341
44	5568534	-O- RING		1		K-3331
45	13653	-O- RING		1		K-1457,K-3331
46	X2014210	BREATHER	7935	1		
47	K-3331	SPLITTER VLV REPL KIT	4300927 4304031	1		K-1010

Item	Current Part	Description	Replaced Part	Qty.	Notes	Kits/Assys Where Needed
			,4304032 ,A - 6862			
48	X-8L-540	CAPSCREW		4	5/16"-18X1-7/8"	
999	K-3331	SPLITTER VLV REPL KIT		1		K-1010



