

Cam-Lok™ F Series Connectors are specifically designed to meet the needs of harsh industrial welding applications. F Series Plugs and Receptacles offer superior reliability and safety while reducing downtime.

### Applications:

- F Series Plugs and Receptacles are specifically designed for industrial applications where electrical equipment is exposed to harsh environments
- Ideal for welding equipment, power distribution panels, patch panels, and heat tracing applications, and are insulated for safety with reinforced thermoplastic or epoxy, or watertight elastomeric

### Certifications and Compliances:

- Meets OSHA requirements for welding connectors
- Meets NEC® Code requirements for listed connectors that are of the locking type

### Features:

### Environmental Rating:

- NEMA 3

### Standard Materials:

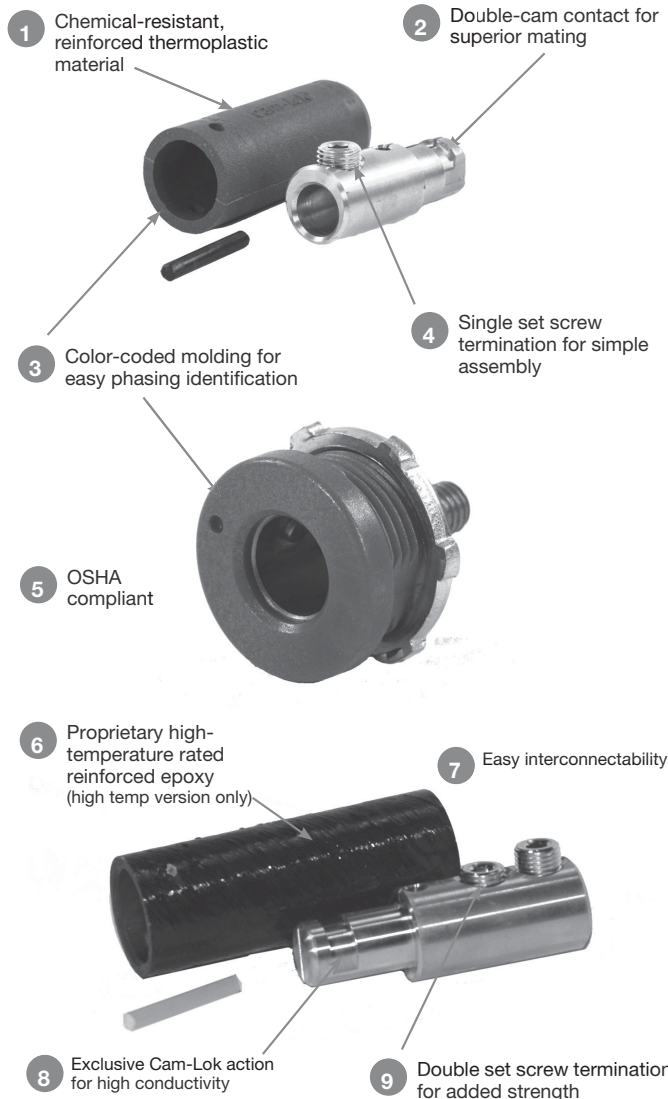
- Accepts cable sizes: #8 AWG - 4 / 0
- Insulator - reinforced thermoplastic (E1010, E1012); reinforced epoxy (E1012 high temperature); elastomeric (E1012 only)
- Contact - brass or silver-plated brass

### Electrical Ratings:

- 120 Volts AC
- Up to 315 Amps continuous, 550 Amps intermittent

### Temperature Ratings:

- Standard: up to 105°C
- High temperature: up to 180°C (365°F)



# 11P Cam-Lok™ F Series E1010 Plugs and Receptacles

**Cable Size #8 - #4 AWG**  
**120VAC**  
**Up to 150A Continuous, 200A Intermittent**

## F Series E1010, Reinforced Thermoplastic

### Features:

- Double cam principle provides a positive, vibration-proof connection
- Self-compensating for wear
- No moving contact surfaces, eliminating arcing or burning
- Superior electro-mechanical connections
- Locked contacts will withstand a pulling force of 1,000 lbs.
- 1/3 of a turn assures a high pressure contact approaching 600 lbs. per sq. in., providing minimum resistance
- Contacts carefully machined from a high conductivity brass to a smooth sliding fit and easy locking action
- Thermoplastic insulators molded from colorfast material, color-coded for easy identification
- Panel receptacles are safety insulated for direct mounting to steel panels
- Accepts a wide range of cable sizes

### Testing and Code Compliance:

- OSHA compliant

### Material Characteristics:

- Insulator - reinforced thermoplastic
- Temperature rating: -40°C to 105°C

### Ordering Information - Plugs:

|           | Male Plugs |       |                 |                  | Female Plugs    |                  |                      |
|-----------|------------|-------|-----------------|------------------|-----------------|------------------|----------------------|
|           | Cable Size | Color | Complete Cat. # | Insulator Cat. # | Complete Cat. # | Insulator Cat. # | Retaining Pin Cat. # |
| Set Screw | #8 - #4    | Red   | E1010-61        | 201281-410RM     | E1010-71        | 201281-410RF     | 100091-2             |
|           | #8 - #4    | Black | E1010-62        | 201281-410BM     | E1010-72        | 201281-410BF     | 100091-2             |
| Solder    | #8 - #4    | Red   | E1010-101       | 201281-410RM     | E1010-111       | 201281-410RF     | 100091-2             |
|           | #8 - #4    | Black | E1010-102       | 201281-410BM     | E1010-112       | 201281-410BF     | 100091-2             |



E1010-61

### Ordering Information - Female Terminal Connectors:

| Cable Size | Color | Angle Style Cat. # | Offset Style Cat. # |
|------------|-------|--------------------|---------------------|
| #8 - #4    | Red   | E1010-181          | E1010-201           |
| #8 - #4    | Black | E1010-182          | E1010-202           |

Bolt hole: 9/16"

### Ordering Information - High Impact Plastic Receptacles:

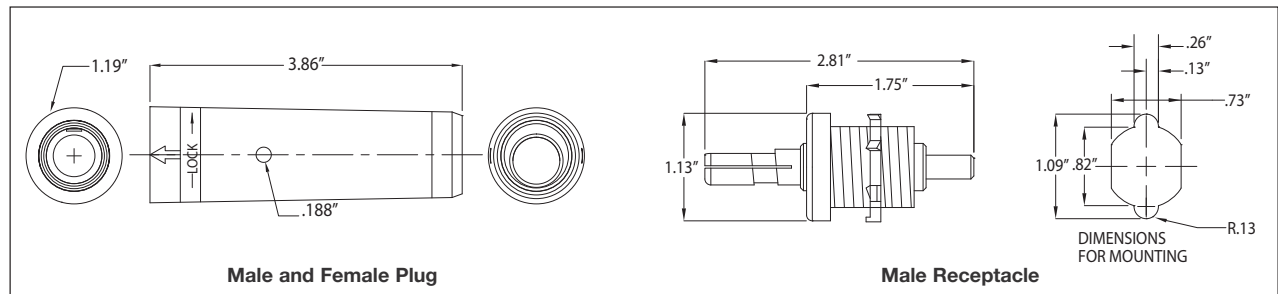
| Cable Size | Color | Cat. #    | Description       |
|------------|-------|-----------|-------------------|
| #8 - #4    | Red   | E1010-301 | Female Receptacle |
| #8 - #4    | Black | E1010-302 | Female Receptacle |
| #8 - #4    | Red   | E1010-307 | Male Receptacle   |
| #8 - #4    | Black | E1010-308 | Male Receptacle   |



E1010-308

To order single packaged products, add a "K" suffix to the complete catalog number.

### Dimensions:



# Cam-Lok™ F Series E1012 Plugs

11P

**Cable Size #2 AWG - 4 / 0  
120VAC**

**Up to 315A Continuous, 550A Intermittent**

## F Series E1012, Reinforced Thermoplastic

### Features:

- Double cam principle provides a positive, vibration-proof connection
- Self-compensating for wear
- No moving contact surfaces, eliminating arcing or burning
- Superior electro-mechanical connections
- Locked contacts will withstand a pulling force of 1,000 lbs.
- 1/3 of a turn assures a high pressure contact approaching 600 lbs. per sq. in., providing minimum resistance
- Contacts carefully machined from a high conductivity brass to a smooth sliding fit and easy locking action
- Thermoplastic insulators molded from colorfast material, color-coded for easy identification
- Accepts a wide range of cable sizes

### Testing and Code Compliance:

- OSHA compliant

### Material Characteristics:

- Insulator - reinforced thermoplastic
- Temperature rating: -40°C to 105°C

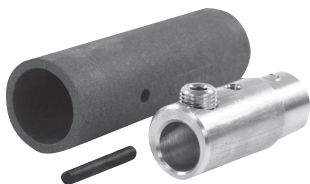
### Ordering Information - Set Screw Plugs:



E1012-66

| Cable Size    | Color | Set Screw Male Plugs |                  | Set Screw Female Plugs |                  |                      |
|---------------|-------|----------------------|------------------|------------------------|------------------|----------------------|
|               |       | Complete Cat. #      | Insulator Cat. # | Complete Cat. #        | Insulator Cat. # | Retaining Pin Cat. # |
| #2 - 1 / 0    | Red   | E1012-61             | 201281-612RM     | N/A                    | N/A              | 100091-4             |
| #2 - 1 / 0    | Black | E1012-62             | 201281-612BM     | N/A                    | N/A              | 100091-4             |
| 1 / 0 - 3 / 0 | Red   | E1012-63             | 201281-712RM     | E1012-71               | 201281-712RF     | 100091-5             |
| 1 / 0 - 3 / 0 | Black | E1012-64             | 201281-712BM     | E1012-72               | 201281-712BF     | 100091-5             |
| 3 / 0 - 4 / 0 | Red   | E1012-65             | 201281-812RM     | E1012-73               | 201281-812RF     | 100091-6             |
| 3 / 0 - 4 / 0 | Black | E1012-66             | 201281-812BM     | E1012-74               | 201281-812BF     | 100091-6             |

### Ordering Information - Solder Plugs:

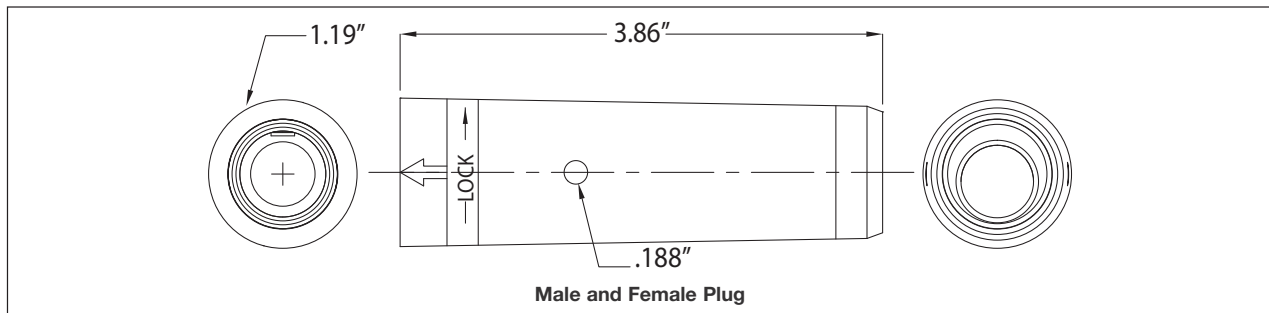


E1012-71

| Cable Size    | Color | Solder Male Plugs |                  | Solder Female Plugs |                  |                      |
|---------------|-------|-------------------|------------------|---------------------|------------------|----------------------|
|               |       | Complete Cat. #   | Insulator Cat. # | Complete Cat. #     | Insulator Cat. # | Retaining Pin Cat. # |
| #2 - 1 / 0    | Red   | E1012-101         | 201281-612RM     | N/A                 | N/A              | 100091-4             |
| #2 - 1 / 0    | Black | E1012-102         | 201281-612BM     | N/A                 | N/A              | 100091-4             |
| 1 / 0 - 3 / 0 | Red   | E1012-103         | 201281-712RM     | E1012-111           | 201281-712RF     | 100091-5             |
| 1 / 0 - 3 / 0 | Black | E1012-104         | 201281-712BM     | E1012-112           | 201281-712BF     | 100091-5             |
| 3 / 0 - 4 / 0 | Red   | E1012-105         | 201281-812RM     | E1012-113           | 201281-812RF     | 100091-6             |
| 3 / 0 - 4 / 0 | Black | E1012-106         | 201281-812BM     | E1012-114           | 201281-812BF     | 100091-6             |

To order single packaged products, add a "K" suffix to the complete catalog number.

### Dimensions:



11P

# 11P Cam-Lok™ F Series E1012 Plugs

**Cable Size #2 AWG - 4 / 0**  
**120VAC**  
**Up to 315A Continuous, 550A Intermittent**

## F Series E1012, Elastomeric

### Features:

- Double cam principle provides a positive, vibration-proof connection
- Self-compensating for wear
- No moving contact surfaces, eliminating arcing or burning
- Superior electro-mechanical connections
- Locked contacts will withstand a pulling force of 1,000 lbs.
- 1/3 of a turn assures a high pressure contact approaching 600 lbs. per sq. in., providing minimum resistance
- Contacts carefully machined from a high conductivity brass to a smooth sliding fit and easy locking action
- Watertight elastomeric insulators molded from colorfast material, color-coded for easy identification
- Accepts a wide range of cable sizes

### Testing and Code Compliance:

- OSHA compliant

### Material Characteristics:

- Insulator - TPE
- Temperature rating: -40°C to 105°C

### Ordering Information - Single Set Screw Plugs:



E1012-8350

#### Single Set Screw Male Plugs

| Cable Size    | Color | Complete Cat. # | Contact Cat. # | Insulator Cat. # |
|---------------|-------|-----------------|----------------|------------------|
| #2 - 2 / 0    | Black | E1012-8300      | A200081-1      | A200068-19       |
| #2 - 2 / 0    | Red   | E1012-8302      | A200081-1      | A200068-21       |
| 2 / 0 - 4 / 0 | Black | E1012-8312      | A200080-1      | A200068-13       |
| 2 / 0 - 4 / 0 | Red   | E1012-8314      | A200080-1      | A200068-15       |

#### Single Set Screw Female Plugs

| Complete Cat. # | Contact Cat. # | Insulator Cat. # |
|-----------------|----------------|------------------|
| E1012-8325      | A200067-1      | A200069-19       |
| E1012-8327      | A200067-1      | A200069-21       |
| E1012-8337      | A200066-1      | A200069-13       |
| E1012-8339      | A200066-1      | A200069-15       |

### Ordering Information - Double Set Screw Plugs:



E1012-8377

#### Double Set Screw Male Plugs

| Cable Size    | Color | Complete Cat. # | Contact Cat. # | Insulator Cat. # |
|---------------|-------|-----------------|----------------|------------------|
| #2 - 2 / 0    | Black | E1012-8350      | A200643-1      | A200068-19       |
| #2 - 2 / 0    | Red   | E1012-8352      | A200643-1      | A200068-21       |
| 2 / 0 - 4 / 0 | Black | E1012-8362      | A200644-1      | A200068-13       |
| 2 / 0 - 4 / 0 | Red   | E1012-8364      | A200644-1      | A200068-15       |

#### Double Set Screw Female Plugs

| Complete Cat. # | Contact Cat. # | Insulator Cat. # |
|-----------------|----------------|------------------|
| E1012-8375      | A200640-1      | A200069-19       |
| E1012-8377      | A200640-1      | A200069-21       |
| E1012-8387      | A200642-1      | A200069-13       |
| E1012-8389      | A200642-1      | A200069-15       |

### Ordering Information - Crimp or Solder Plugs:

#### Crimp or Solder Male Plugs

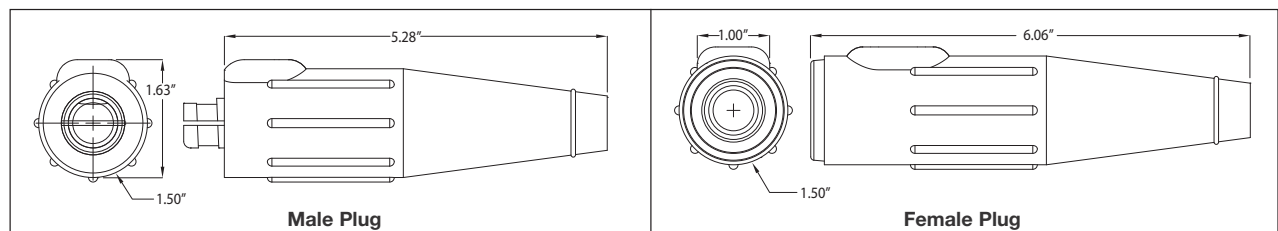
| Cable Size    | Color | Complete Cat. # | Contact Cat. # | Insulator Cat. # |
|---------------|-------|-----------------|----------------|------------------|
| #2 - #1       | Black | E1012-8006      | A200036-30     | A200068-19       |
| #2 - #1       | Red   | E1012-8008      | A200036-30     | A200068-21       |
| 1 / 0 - 2 / 0 | Black | E1012-8012      | A200036-31     | A200068-19       |
| 1 / 0 - 2 / 0 | Red   | E1012-8014      | A200036-31     | A200068-21       |
| 3 / 0 - 4 / 0 | Black | E1012-8030      | A200038-30     | A200068-13       |
| 3 / 0 - 4 / 0 | Red   | E1012-8032      | A200038-30     | A200068-15       |

#### Crimp or Solder Female Plugs

| Complete Cat. # | Contact Cat. # | Insulator Cat. # |
|-----------------|----------------|------------------|
| E1012-8056      | A200037-35     | A200069-19       |
| E1012-8058      | A200037-35     | A200069-21       |
| E1012-8062      | A200037-36     | A200069-19       |
| E1012-8064      | A200037-35     | A200069-21       |
| E1012-8080      | A200035-53     | A200069-13       |
| E1012-8082      | A200035-53     | A200069-15       |

To order single packaged products, add a "K" suffix to the complete catalog number.

### Dimensions:



Male Plug

Female Plug