

# Battery Operated Switch/Dimmer

Project Name:	Prepared By:
Project Number:	Date:
Catalog Number:	Type:

## Description

Battery Operated  
(2) CR2025 Batteries

## Design features

- With the award-winning ASPIRE Design System aesthetics, Aspire RF devices match perfectly with any ASPIRE installation
- Blue LED displays as follows during sent command:
  - ON — comes on for 2 seconds
  - OFF — blinks once
  - No Response — blinks six times
- Includes single-gang wallplate (9521) mounting hardware (2 drywall screws and anchors, and 2 pieces of two-sided tape strips) and two CR2025 batteries
- Electro-mechanical push pad for ON/OFF operation with separate Dim/Bright bar
- Can be used in existing or new multi-gang installations with use of inner wallplate (RFBS22)
- Compatible with Eaton's Z-Wave devices for wireless 3-way control, eliminating the need for traditional 3-way wiring or for a dedicated traveller wire
- Single button programming
- Mounts to any flat surface
- Can be associated with up to five other devices
- Goes into Sleep Mode to reduce power consumption & extend battery life (LED is OFF)



RF9500



RF9500 w/ wallplate

**Table 1. Aspire RF Battery Operated Switch/Dimmer**

Catalog No.	Description	Color Suffix
□ RF9500__	Battery Operated Switch/Dimmer	AW, DS, SG, WS
□ RFBS22__	Inner Wallplate for Multi-Gang Installation	—

**Compliances, specifications and availability are subject to change without notice.**



Powering Business Worldwide

Project Name:	Prepared By:
Project Number:	Date:
Catalog Number:	Type:

## Applications

Eaton's Battery Operated Switch/Dimmer controls Z-Wave receptacles, switches or dimmers to provide remote ON/OFF/DIM/BRIGHT control. The Battery Operated Switch/Dimmer provides other programmable functions (association, scenes, etc.) when used with Z-Wave compliant products. The Battery Operated Switch/Dimmer is intended to manually control other Z-Wave devices through RF association. The Battery Operated Switch/Dimmer utilizes two CR2025 batteries and mounts flush to the wall. No new wiring is required.

**Table 2. Specifications**

Catalog No.	Battery Operated Switch/Dimmer RF9500
<b>Performance</b>	Power: (2) CR2025 batteries (supplied) Expected battery life: + 1 year Uses 300 series Z-Wave chip @40Kbs Note: Not used as a repeater in RF mesh network.
<b>Performance Consideration</b>	An Z-Wave enabled device must be within 60 feet of another Z-Wave enabled device to participate in a Z-Wave wireless mesh network. Any one dimmer or switch can be associated with up to 5 devices (dimmers, switches, receptacles or plug-in modules).
<b>Installation &amp; Programming</b>	Please reference the instruction sheet included with product for installation and programming. For system programming, see the User Manual, which is provided with the Handheld (RFHDCSG) or Tabletop (RFTDCSG) controllers. Both are also accessible online at <a href="http://www.eaton.com/wiringdevices">www.eaton.com/wiringdevices</a>
<b>Testing &amp; Code Compliance</b>	cULus Listed Appliance Control 38DS, NOM Certified, Complies with FCC Part 15, Class B, Z-Wave Compliant Certified
<b>Terminations</b>	Requires RFBS22 inner wallplate for multi-gang installations. Note: Battery Operated Dimmer/Switch shall not be mounted to an electrical box.
<b>Material Characteristics</b>	<b>Flammability:</b> Meets Flammability Rating: V2 per UL94 <b>Temperature</b> Rating: 32°F to 104°F (0°C to 40°C)
<b>Warranty</b>	2 year limited product warranty Product and performance warranties are extended to 10 years if installed as part of an Aspire RF Certified Installer System

**Table 3. Color Ordering Information**

For ordering devices, include Catalog no. followed by the Color suffix: AW (Alpine White), DS (Desert Sand), SG (Silver Granite), WS (White Satin)

Designer series color options:

AW	AW	DS	DS	SG	SG	WS	WS
(Alpine White)		(Desert Sand)		(Silver Granite)		(White Satin)	

## Product Dimensions

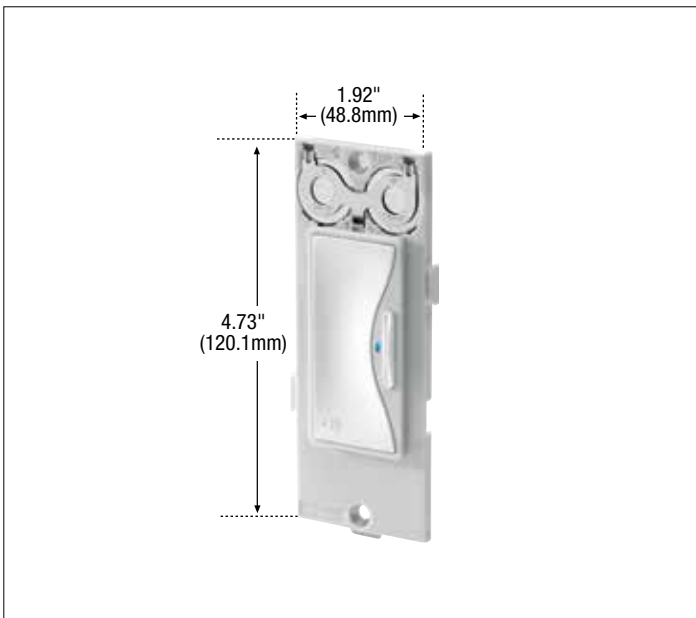


Figure 1. RF9500

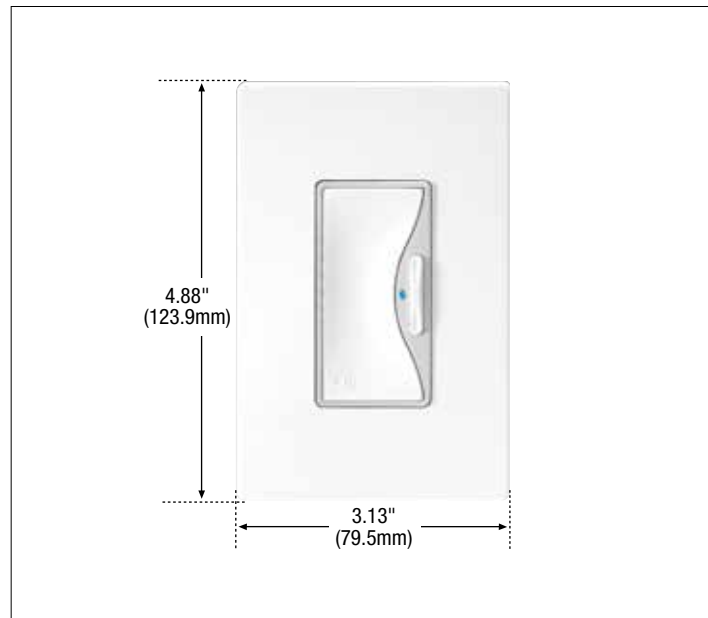


Figure 2. RF9500 w/wallplate

Project Name:	Prepared By:
Project Number:	Date:
Catalog Number:	Type:

## Installation Instructions

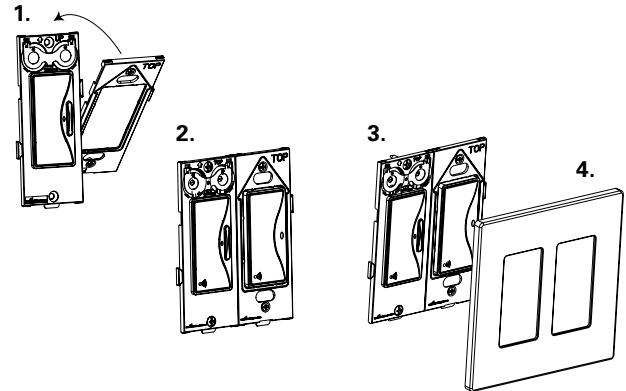
### RF9500

RF9500 should be installed on flat surfaces only.  
DO NOT Install RF9500 in electrical boxes.

### RFBS22

Use RFBS22 for Multi-gang installations of RF9500.

1. Snap RF9500 into place beside RFBS22 on desired side using interlocking snap features. (Arrow on RF9500 and RFBS22 points up.)
2. Place RFBS22 around already installed device and secure in place using wallplate mounting screws.
3. Secure RF9500 in place using drywall anchors and screws provided.
4. Snap-on multi-gang screwless wallplate (ASPIRE™ Catalog Nos. 9522, 9523, 9524, 9525 or 9526). Wallplates not included.



## Certifications & Compliances

Catalog No.	cULus	FCC
RF9575	•	•
RFBS22	•	•

KEY: cULus cULus FCC FCC

## Related Products

### Z-Wave controllers



RFWC5WS

### Z-Wave Wireless products



RF9540-NDW, RF9501DW, RFTR9505-T

### Aspire products



9566TRWS, 9544DS, 9521WS

Compliances, specifications and availability are subject to change without notice.

Electrical Sector  
203 Cooper Circle  
Peachtree City, GA 30269  
United States  
Eaton.com  
Eaton.com/wiringdevices

Electrical Sector  
Canada Operations  
5925 McLaughlin Road  
Mississauga, Ontario, L5R 1B8  
Canada  
EatonCanada.ca  
Eaton.com/wiringdevices

Electrical Sector  
Mexico Operations  
Carr. Tlalnepantla -  
Cuautitlan Km 17.8 s/n  
Col. Villa Jardin esq.  
Cerrada 8 de Mayo  
Cuautitlan, Mexico CP 54800  
Mexico  
Eaton.mx  
Eaton.com/wiringdevices

**Eaton**  
1000 Eaton Boulevard  
Cleveland, OH 44122  
United States  
Eaton.com

© 2017 Eaton  
All Rights Reserved  
Printed in USA  
Publication No. TD610053EN  
October 2017

**EATON**  
Powering Business Worldwide

Eaton is a registered trademark.

All other trademarks are property  
of their respective owners.

