

# Isolated ground decorator straight blade receptacles

Project Name:	Prepared By:
Project Number:	Date:
Catalog Number:	Type:

## Description

15A & 20A, 125V  
 2-Pole, 3-Wire Grounding  
 NEMA 5-15R, NEMA 5-20R

## Design features

- Exclusive 5-leaf brass line contacts ensure lowest heat rise, smooth plug blade insertion, long-term retention and corrosion resistance
- Rigid, glass reinforced nylon base lends ultimate strength and superior high heat resistance in contact carrier
- Unique screw terminal guards provide fast, easy insulation from conductive surfaces
- 0.050" (1.27mm) thick steel strap with non-riveted, one-piece brass grounding shunt for highest durability
- High impact and chemical-resistant nylon face
- Tapered back wiring lead-in slots assist in gathering stranded wires for faster, more secure connections
- All terminal (H-N-G) and mounting screws nickel-plated, triple combination (Slot/Phillips/Robertson) head for superior corrosion resistance and maximum flexibility
- Long, broad mounting strap helps reach large panel cutouts for code compliance
- Automatic grounding system eliminates need for bonding jumper in grounded metal enclosure, provides redundant measure of ground continuity where jumper used



IG6262



IG6362

**Table 1. Isolated Ground, Back & Side Wire**

Catalog No.	Description	Amps	Volts	Color Suffix
IG6262__	IG Decorator Duplex Receptacle	15	125	GY, RN, V
IG6362__	IG Decorator Duplex Receptacle	20	125	GY, RN, V

Compliances, specifications and availability are subject to change without notice.



Powering Business Worldwide

Project Name:	Prepared By:
Project Number:	Date:
Catalog Number:	Type:

## Applications

The grounding network in any commercial building serves as a means of protection for both people and equipment. However, it can also serve as a conductor for electromagnetic interference or electronic noise. Electronic noise can distort electronic signals, and ultimately cause sensitive electronic equipment to operate improperly. Eaton's Arrow Hart line of isolated ground straight blade receptacles utilize our exclusive 0.030" solid brass, non-riveted, one-piece Isolated Grounding Shunt System to assure ground integrity under the heaviest use.

**Table 2. Specifications**

Catalog No.	IG6262 & IG6362 Series
	15A 125V, 20A 125V Isolated Ground Decorator Duplex
<b>Wiring Type</b>	Back & side wire
<b>Testing &amp; Code Compliance</b>	<b>cULus Listed</b> to UL498, file no. E15058 <b>UL Verified</b> to Federal Spec. WC-596G
<b>Environmental Specifications</b>	<b>Flammability:</b> Meets UL94 requirements; V2 rated <b>Temperature Rating:</b> -20°C to 70°C (-4°F to 158°F)
<b>Electrical Specifications</b>	<b>Dielectric Voltage:</b> Withstands 2000V per UL498 <b>Current Interrupting:</b> Yes, at full-rated current <b>Temperature Rise:</b> Receptacle - max. 30°C (86°F) after 100 cycles of overload
<b>Mechanical Specifications</b>	<b>Terminal Accommodation:</b> #14 - 10 AWG <b>Voltage Ratings:</b> Permanently marked on device

**Table 3. Materials**

Catalog No.	IG6262 & IG6362 Series
	15A 125V, 20A 125V Isolated Ground Decorator Duplex
<b>Face</b>	Nylon
<b>Base</b>	Glass-filled nylon
<b>Strap</b>	0.050" Thick galvanized steel, 1-piece isolated ground shunt
<b>Auto Ground Clip</b>	Brass
<b>Line Contacts</b>	5-Leaf brass
<b>Terminal Screws</b>	#8-32 Steel
<b>Ground Screw</b>	#8-32 Steel (green)
<b>Screw Terminal Guards</b>	PVC

**Table 4. Color Ordering Information**

For ordering devices, include Catalog No. followed by the Color Suffix: GY (Gray), RN (Orange), V (Ivory)

GY	RN	V
(Gray)	(Orange)	(Ivory)

**Compliances, specifications and availability are subject to change without notice.**

Project Name:	Prepared By:
Project Number:	Date:
Catalog Number:	Type:

## Product Dimensions

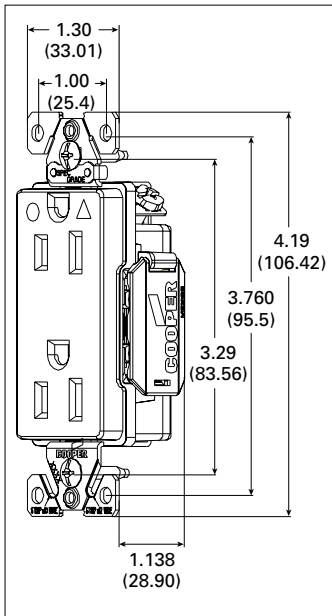


Figure 1. IG6262

Compliances, specifications and availability are subject to change without notice.

**Eaton**  
1000 Eaton Boulevard  
Cleveland, OH 44122  
United States  
Eaton.com

Electrical Sector  
203 Cooper Circle  
Peachtree City, GA 30269  
United States  
Eaton.com  
Arrowhart.com

© 2013 Eaton  
All Rights Reserved  
Printed in USA  
Publication No. 125-0059-13  
September 2013