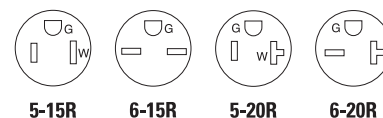


Premium industrial grade isolated ground straight blade receptacles

Project Name:	Prepared By:
Project Number:	Date:
Catalog Number:	Type:

Description

2-Pole, 3-Wire Grounding
 15A 125V; 15A 250V
 20A 125V; 20A 250V
 NEMA 5-15, 5-20, 6-15, 6-20



IG5261



AHIG5362

Design features

- Exclusive screw terminal guards provide fast, easy insulation from conductive surfaces (duplex only)
- Exclusive five-leaf solid brass line contacts provide consistent performance and superior plug retention (duplex only)
- Rigid, glass reinforced nylon base lends ultimate strength and superior high heat resistance in contact carrier (duplex only)
- 0.050" (1.27mm) brass-plated steel mounting strap with non-riveted, integral one-piece grounding system for highest durability – assures superior ground integrity under heaviest use (duplex only)
- High impact and chemical-resistant nylon face
- Tapered lead-in slots on back wiring holes assist in gathering stranded wires for faster, more secure connections
- All terminal and mounting screws triple combination (slot/Phillips/Robertson) head for maximum installer flexibility
- Long, broad mounting strap helps reach large panel cutouts for code compliance
- Screw-Catch feature on duplex devices speeds mounting of wallplates

Table 1. Premium Industrial Grade Isolated Ground Receptacles, Back & Side Wire

Catalog No.	Description	Amps	Volts	Color Suffix
<input type="checkbox"/> AHIG5262__	NEMA 5-15R Premium IG Duplex Receptacle, Back & Side Wire	15	125	GY, RD, RN, V, W
<input type="checkbox"/> IG5261__	NEMA 5-15R Premium IG Single Receptacle, Back & Side Wire	15	125	RN
<input type="checkbox"/> AHIG5362__	NEMA 5-20R Premium IG Duplex Receptacle, Back & Side Wire	20	125	BK, GY, RD, RN, V, W
<input type="checkbox"/> IG5361__	NEMA 5-20R Premium IG Single Receptacle, Back & Side Wire	20	125	RN, V
<input type="checkbox"/> AHIG5662__	NEMA 6-15R Premium IG Duplex Receptacle, Back & Side Wire	15	250	RN
<input type="checkbox"/> IG5661__	NEMA 6-15R Premium IG Single Receptacle, Back & Side Wire	15	250	RN
<input type="checkbox"/> AHIG5462__	NEMA 6-20R Premium IG Duplex Receptacle, Back & Side Wire	20	250	RN
<input type="checkbox"/> IG5461__	NEMA 6-20R Premium IG Single Receptacle, Back & Side Wire	20	250	RN



Powering Business Worldwide

Compliances, specifications and availability are subject to change without notice.

Project Name:	Prepared By:
Project Number:	Date:
Catalog Number:	Type:

Applications

The grounding network in any commercial building serves as a means of protection for both people and equipment. However, it can also serve as a conductor for electromagnetic interference or electronic noise. Electronic noise can distort electronic signals and ultimately cause sensitive electronic equipment to operate improperly. Arrow Hart's line of premium industrial grade isolated ground receptacles utilize our exclusive 0.030" solid brass, non-riveted, integral one-piece isolated grounding shunt system to assure ground integrity under the heaviest use.

Table 2. Specifications

Catalog No.	AHIG5262, AHIG5362, AHIG5462, AHIG5662 Series	IG5261, IG5361, IG5461, IG5661 Series
Device Type	Industrial Grade Premium Isolated Ground Duplex Receptacles	Industrial Grade Premium Isolated Ground Single Receptacles
Wiring Type	Back & side wire	Back & side wire
Testing & Code Compliance	<ul style="list-style-type: none"> • cULus Listed to UL 498, file no. E15058 • UL verified to Federal Spec. WC-596G • CSA certified to C22.2, no. 42 • NOM certified 	<ul style="list-style-type: none"> • Listed to UL 498, file no. E15058 • UL verified to Federal Spec. WC-596G • CSA certified to C22.2, no. 42, file no. 6914 (6233-01) • NOM certified
Environmental Specifications	Flammability: Meets UL 94 requirements; V2 rated Temperature Rating: -20°C to 70°C (-4°F to 158°F)	Flammability: Meets UL 94 requirements; V2 rated Temperature Rating: -20°C to 60°C (-4°F to 140°F)
Electrical Specifications	Dielectric Voltage: Withstands 2000V per UL 498 Current Interrupting: Yes, at full-rated current Temperature Rise: Max. 30°C (86°F) after 250 cycles of overload @ 200% of rated current (DC)	Dielectric Voltage: Withstands 2000V per UL 498 Current Interrupting: Yes, at full-rated current Temperature Rise: Max. 30°C (86°F) after 250 cycles of overload @ 200% of rated current (DC)
Mechanical Specifications	Terminal Accommodation: #14 - 10 AWG Voltage Ratings: Permanently marked on device	Terminal Accommodation: #14 - 10 AWG Voltage Ratings: Permanently marked on device

Table 3. Materials

Catalog No.	AHIG5262, AHIG5362, AHIG5462, AHIG5662 Series	IG5261, IG5361, IG5461, IG5661 Series
Face	Nylon	Nylon
Base	Glass-filled nylon	Nylon
Strap	0.05" thick steel, brass plated	0.05" thick steel, zinc plated
Auto Ground	Brass clip	Phosphor bronze staple
Line Contacts	0.031" thick 5-leaf 688 grade high-performance brass	0.037" thick 3-leaf brass
Ground Contact	0.030" thick brass grounding shunt	Riveted
Terminal Screws	Steel, brass plated hot/nickel plated neutral	Steel, brass plated hot/nickel plated neutral
Ground Screw	Steel, zinc plated (green)	Steel, zinc plated
Screw Terminal Guards	PVC hinged doors	N/A

Table 4. Color Ordering Information

For ordering devices, include Cat. No. followed by the color code: B (Brown), BK (Black), GY (Gray), RD (Red), RN (Orange), V (Ivory), W (White)

B	BK	GY	RD	RN	V	W
Brown	Black	Gray	Red	Orange	Ivory	White

Project Name:	Prepared By:
Project Number:	Date:
Catalog Number:	Type:

Product Dimensions

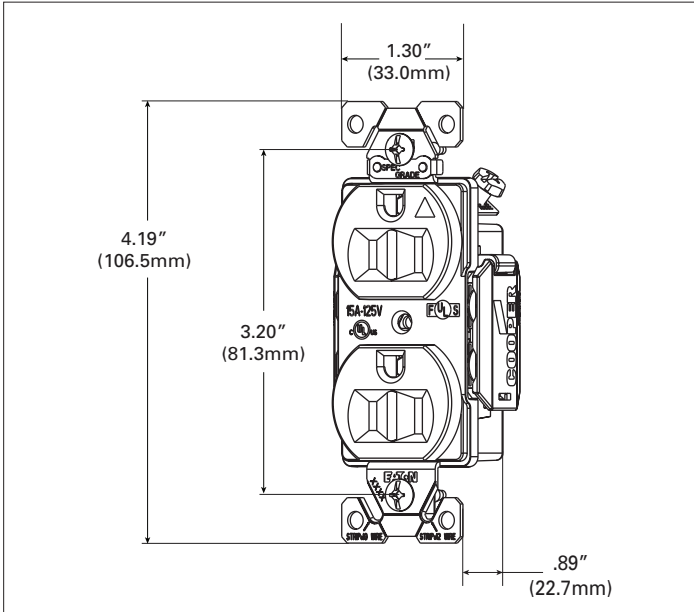


Figure 1. AHIG5262 Line Art with Dimensions

Product Dimensions

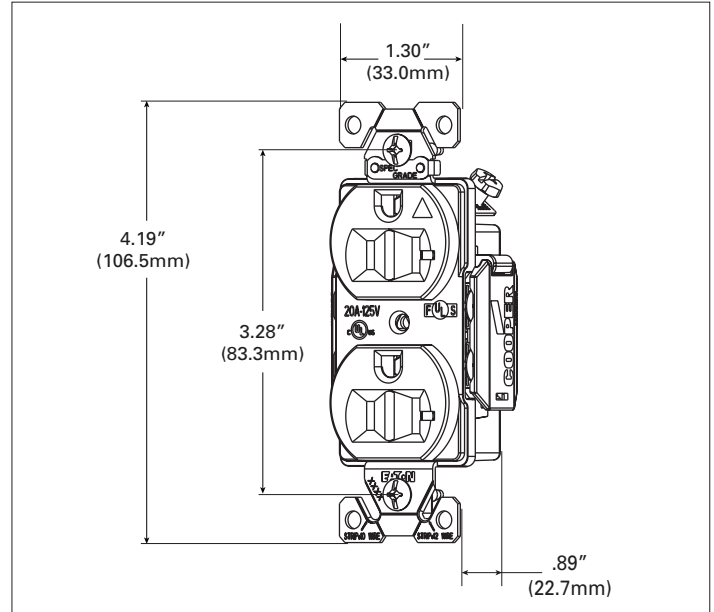


Figure 2. IG5362 Line Art with Dimensions

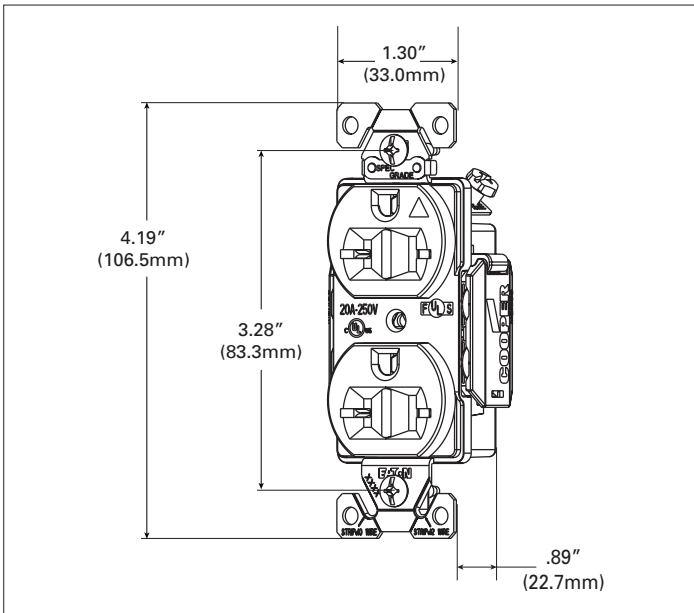


Figure 3. AHIG5462 Line Art with Dimensions

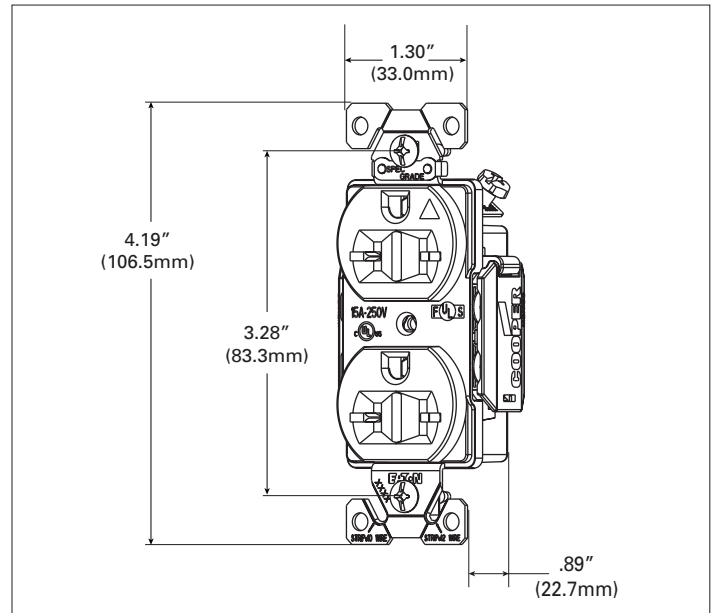


Figure 4. AHIG5662 Line Art with Dimensions

Project Name:	Prepared By:
Project Number:	Date:
Catalog Number:	Type:

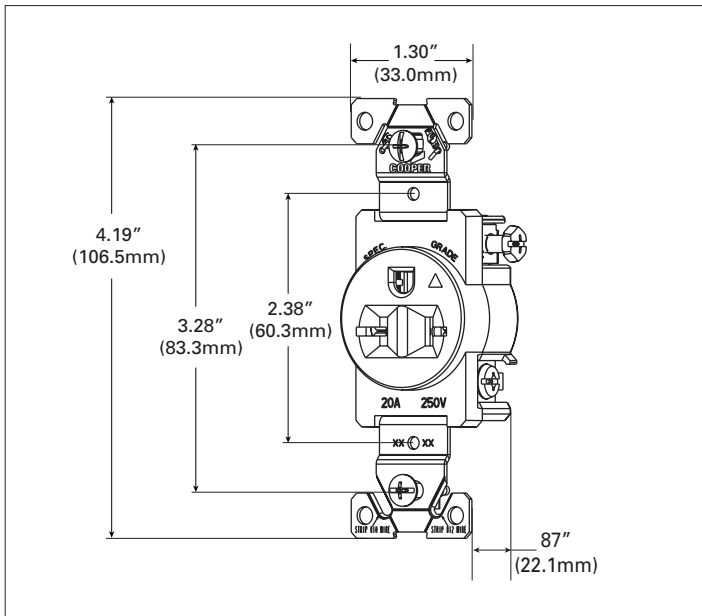


Figure 5. IG5461 Line Art with Dimensions

Certifications & Compliances

Catalog No.	cULus	UL	FCS	USA	CSA	NOM 426	Arrowlink	Build-To-Spec	ROHS
AHIG5262	•		•		•	•	•	•	•
IG5261		•	•	•		•	•	•	•
AHIG5362	•		•		•	•	•	•	•
IG5361		•	•	•		•	•	•	•
AHIG5662	•		•		•	•	•	•	•
IG5661		•	•	•		•	•	•	•
AHIG5462	•		•		•	•	•	•	•
IG5461		•	•	•		•	•	•	•

KEY: cULus cULus UL UL FCS Fed Spec USA NAFTA CSA
NOM NOM Arrowlink Arrowlink Build-To-Spec Build-To-Spec ROHS ROHS

Parts are manufactured and designed in accordance with article 4 of the European Union's RoHS2 directive 2011/65/EU

Build-To-Spec Customizable Devices

Electrical Sector
203 Cooper Circle
Peachtree City, GA 30269
United States
Eaton.com
Cooperwiringdevices.com

Electrical Sector
Canada Operations
5925 McLaughlin Road
Mississauga, Ontario, L5R 1B8
Canada
EatonCanada.ca
Cooperwiringdevices.com

Electrical Sector
Mexico Operations
Carr. Tlalnepantla -
Cuautitlan Km 178 s/n
Col. Villa Jardin esq.
Cerrada 8 de Mayo
Cuautitlan, Mexico CP 54800
Mexico
Eaton.mx
Cooperwiringdevices.com

Eaton
1000 Eaton Boulevard
Cleveland, OH 44122
United States
Eaton.com

© 2014 Eaton
All Rights Reserved
Printed in USA
Publication No. E125-0136-14
October 2014

Eaton is a registered trademark.

All other trademarks are property
of their respective owners.