

# Z-Wave Plus wireless duplex receptacle

Project Name:	Prepared By:
Project Number:	Date:
Catalog Number:	Type:



RFTR9605-TAW



## Description

2-Pole, 3-wire grounding  
15A, 120V/AC, 60Hz, 1/2 HP

## Design features

- Provides Z-Wave control of one outlet leaving the other one for normal use
- Can be wired with standard 3-way switch where traveler wire exist for 3-way
- For added safety, complies with NEC® specification that states all receptacles installed in dwelling units must be tamper resistant
- Ability to be controlled remotely by other Z-wave devices through association (Z-Wave Plus devices only)
- Dimmable blue LED at center right of paddle illuminates to indicate ON/OFF status
- Patented indicator system alerts if the device is not set up in the network
- Patented built-in wire stripper for #14 and #12 wire to speed installation
- Rated for 1/2 HP motor loads
- Configurable "power ON state"
- Child lockout feature which disables local control at receptacle
- Supports panic mode with compatible hubs
- Available in 10 different colors including metallic finish
- Z-Wave Plus certified with S2 security standard

**Table 1. Z-Wave Plus wireless duplex receptacle**

Catalog No.	Description	Color suffix
□ RFTR9605-T_	Z-Wave Plus wireless duplex receptacle	AW, DS, WS, B, BK, GY, RB, SG

**Compliances, specifications and availability are subject to change without notice.**



*Powering Business Worldwide*

Project Name:	Prepared By:
Project Number:	Date:
Catalog Number:	Type:

## Applications

The Z-Wave Plus wireless 15A receptacle replaces regular receptacles to provide local and remote ON/OFF control of a single outlet. Moreover, the receptacle provides other programmable functions (scenes, events, association, child lockout, etc.) when used with Z-Wave Plus compliant controllers. The receptacle can be manually and remotely controlled by commands sent from Z-Wave compatible controllers or programs also controlled by 3-way toggle switch. A Z-Wave receptacle utilizes existing 120 V/AC 60Hz standard house wiring and fits into a standard wallbox. No new wiring needed.

Eaton's Z-Wave Plus wireless receptacles are Z-Wave Plus certified and support latest S2 security standards for advanced cybersecurity.

**Table 2. Specifications**

Catalog No.	Tamper resistant duplex receptacle RFTR9505-T
<b>Performance</b>	Maximum amperage for receptacle is 15A Rating: 120V/AC, 60Hz Horsepower rating: 1/2 HP (9.8A) Uses 500 Series Z-Wave Chip @ 9.6/40/100Kbps
<b>Performance Consideration</b>	A Z-Wave enabled device must be within 60 feet of another Z-Wave enabled device to participate in a Z-Wave wireless mesh network. Any one dimmer or switch can be associated with up to 5 devices (dimmers, switches, receptacles, or plug-in modules)
<b>Installation &amp; Programming</b>	Please reference the Instruction Sheet included with the product for wiring installation. For programming of the device, see the User Manual, which is provided with compatible Z-Wave controller
<b>Testing &amp; Code Compliance</b>	cULus Listed Appliance Control 38DS. NOM Certified. Complies with FCC Part 15, Class B. Z-Wave Plus Compliant Certified
<b>Terminations</b>	Receptacles have four 6" pre-stripped wire leads for line, neutral, ground and 3-way
<b>Material Characteristics</b>	<b>Flammability:</b> Meets UL94 requirements; V2 rated <b>Temperature Rating:</b> 32°F to 104°F (0°C to 40°C)
<b>Warranty</b>	2-year limited product warranty

**Table 3. Color Ordering Information**

For ordering devices, include Catalog No. followed by the Color Suffix: AW (Alpine White), DS (Desert Sand), WS (White Satin), B (Brown), BK (Black), GY (Gray), LA (Light Almond), RB (Oil Rubbed Bronze), SG (Silver Granite).

Color options:

AW	AW	DS	DS	WS	WS	B	BK	GY	LA	RB	SG
(Alpine White)		(Desert Sand)		(White Satin)		(Brown)	(Black)	(Gray)	(Light Almond)	(Oil Rubbed Bronze)	(Silver Granite)

**Table 4. Device Configuration Parameters**

Parameter	Description	Value range
1	Delayed OFF Time	0 to 127 Secs
2	Panic ON Time	0 to 127 Secs
3	Panic OFF Time	0 to 127 Secs
4	Not Used	N/A
5	Power Up State	1=OFF, 2=ON, 3=Last State
6	Panic Mode Enable	0=OFF, 1=ON
7-12	Not Used	N/A
13	Blue LED Brightness Level while Switch is ON	0 to 4
14	Blue LED Brightness Level while Switch is OFF	0 to 4

**Table 5. Device Association Information**

Association Groups for RFTR9605-T	
Group 1 (life line)	5 nodes maximum
Group 2 (set) ON/OFF	5 nodes maximum

## Product Dimensions

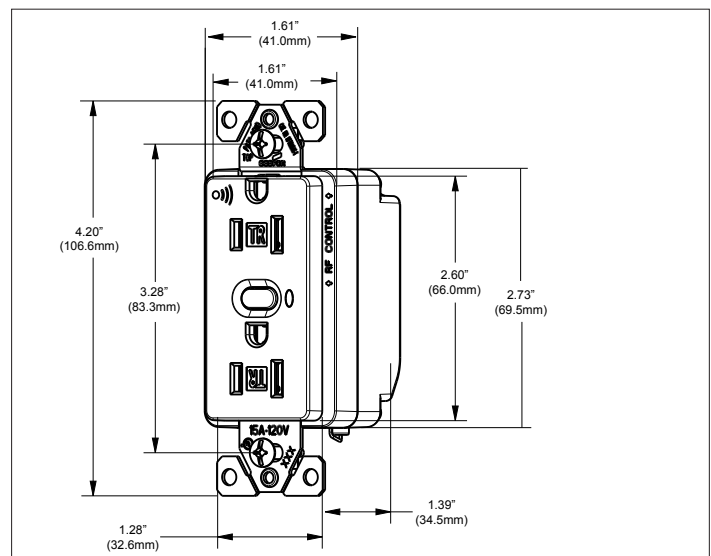
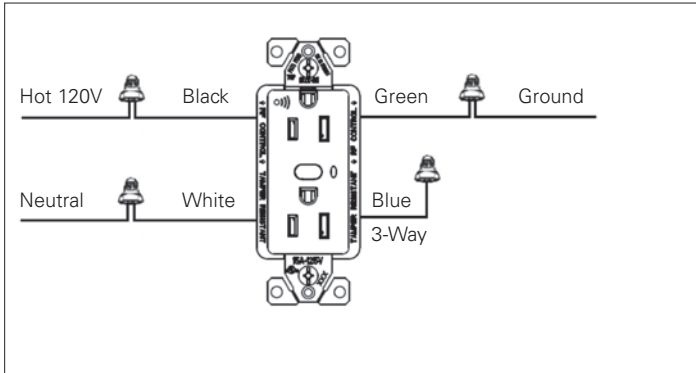


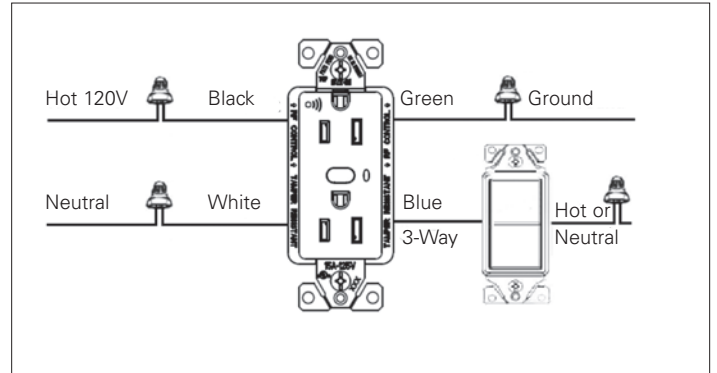
Figure 1. RFTR9605-T

Project Name:	Prepared By:
Project Number:	Date:
Catalog Number:	Type:

### Single-Pole Location Wiring Diagram



### 3-Way with RF and toggle Receptacle



### Certifications & Compliances

<b>Catalog No.</b>				
RFTR9605-T	•	•	•	•

**KEY:** cULus NOM FCC Z-Wave Plus

### Related Products

#### Z-Wave controller



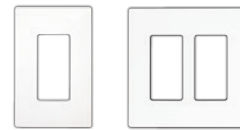
Eaton home automation hub

#### Z-Wave Plus wireless products



RF9601, RF9640-N, RF9617

#### Wallplates



PJS526, PJS5262

**Compliances, specifications and availability are subject to change without notice.**

Electrical Sector  
203 Cooper Circle  
Peachtree City, GA 30269  
United States  
Eaton.com  
Eaton.com/wiringdevices

Electrical Sector  
Canada Operations  
5925 McLaughlin Road  
Mississauga, Ontario, L5R 1B8  
Canada  
EatonCanada.ca  
Eaton.com/wiringdevices

Electrical Sector  
Mexico Operations  
Carr. Tlalnepantla -  
Cuautitlan Km 178 s/n  
Col. Villa Jardin esq.  
Cerrada 8 de Mayo  
Cuautitlan, Mexico CP 54800  
Mexico  
Eaton.mx  
Eaton.com/wiringdevices

**Eaton**  
1000 Eaton Boulevard  
Cleveland, OH 44122  
United States  
Eaton.com  
© 2018 Eaton  
All Rights Reserved  
Printed in USA  
Publication No. TD610099EN (REV1)  
October 2020

Eaton is a registered trademark.  
All other trademarks are property  
of their respective owners.

