

Hydraulics

Used in Civil Engineering



Movable Bridges

Canal Locks

Dams

Hydropower

Gear Products

- Series L2
- AEG
- Series 26

- S26

- Series L2
- AEG
- Series 26

- Series 26
- Series L2

Vane Products

- V, VQ & VQH Series
- VMO

- VMO
- V20

Piston Products

- PVM
- Hydrokraft
- ME Motors 25 M

- PVM

- PVM

- PVM

Packaged Systems

- HPU
- Manifolds
- Systems

- HPU
- Systems

- HPU
- Systems

- HPU
- Manifolds
- Systems

Cylinders

- Hydrowa
- ABC-G2/P1/P2
- HYPOS II

- Hydrowa
- ABC-G2/P1
- HYPOS II

- Hydrowa
- ABC-G2/P1/P2
- HYPOS II

- Vickers VG
- Hydro-Line HG

Directional Valves

- DG4V-3/5
- DG5V-5/7/8/10

- DG4V-3/5
- DG5V-5/7/8/10

- DG4V-3/5
- DG5V-5/7/8/10

- DG4V-3/5
- DG5V-5/7/8/10

Proportional Valves

- K(B)DG
- K(B)F
- K(B)CG

- K(B)DG
- K(B)F
- K(B)CG

- K(B)DG
- K(B)F
- K(B)CG

- K(B)DG • K(B)F
- K(B)H • K(B)CG

Slip-in Cartridge Valves

- CVCS / CVI
- CVU-EFP1
- Valvistor

- CVCS / CVI
- CVU-EFP1
- Valvistor

- CVCS / CVI
- CVU-EFP1
- Valvistor

- CVCS / CVI
- CVU-EFP1
- Valvistor

Stack Valve

- DGMDC • DGMFN
- DGMC • DGMPC
- DGMX

- DGMDC • DGMFN
- DGMC • DGMPC
- DGMX

- DGMDC • DGMFN
- DGMC • DGMPC
- DGMX

- DGMDC • DGMPC
- DGMFN • DGMX
- DGMC

Fluid Conveyance

- Braided & Spiral Hose
- Eaton Fluid Conveyance Connectors

- Braided & Spiral Hose
- Eaton Fluid Conveyance Connectors

- Braided & Spiral Hose
- Eaton Fluid Conveyance Connectors

- Braided & Spiral Hose
- Eaton Fluid Conveyance Connectors

Filtration

- H20-gate & Fluid Analysis
- Pressure / Return / Offline Filters

- H20-gate & Fluid Analysis
- Pressure / Return / Offline Filters

- H20-gate & Fluid Analysis
- Pressure / Return / Offline Filters

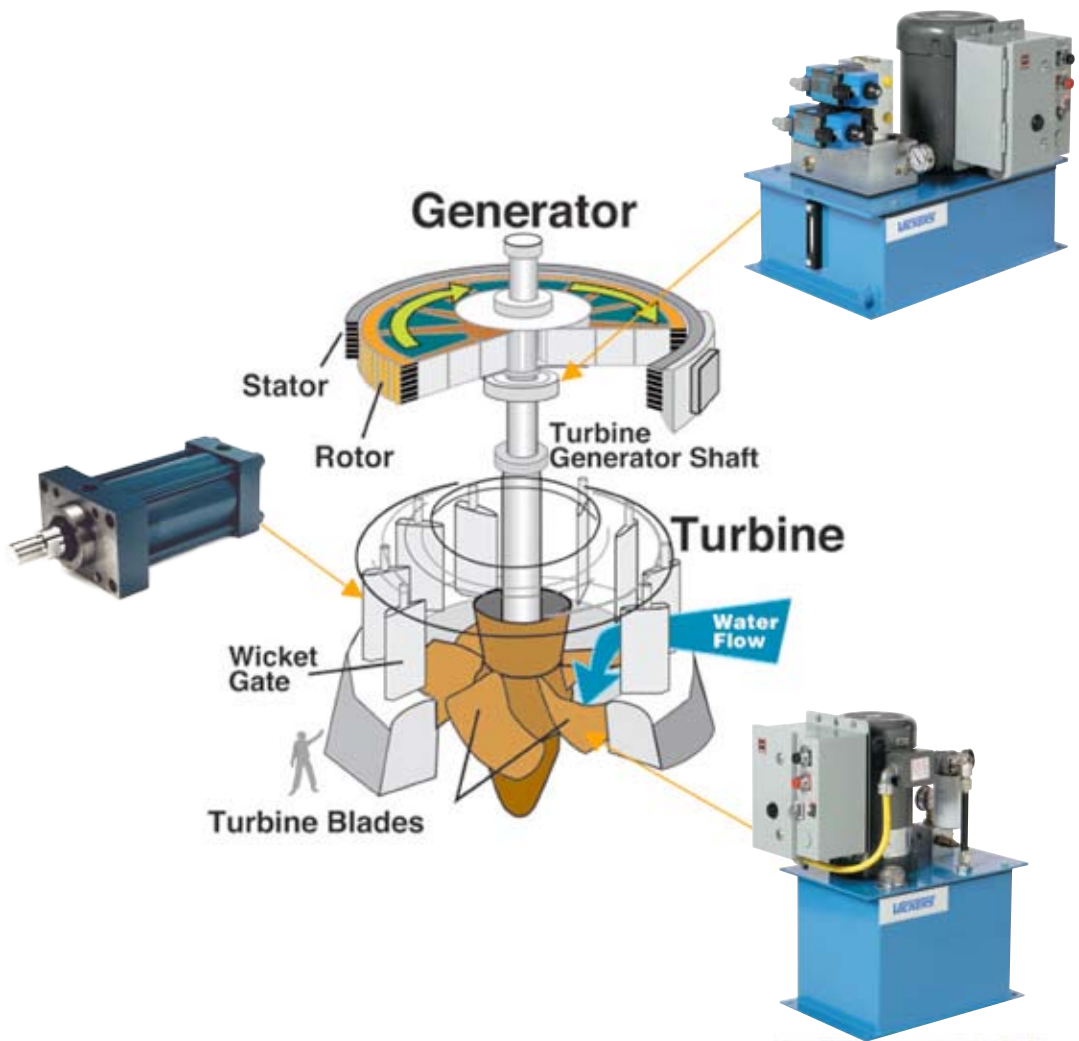
- H20-gate & Fluid Analysis
- Pressure / Return / Offline Filters

System Solutions - Hydropower

Turbine-Generator Hydraulic Systems

In hydropower plants, industrial hydraulic technology ensures safe, reliable, and productive turbine-generator operation. Power units, manifolds, valves, cylinders and accessories are used in bearing lube systems to keep friction between moving parts to a minimum, in turbine governor systems to regulate the flow of water to the turbines via the wicket gates, and in Kaplan turbine installations to optimize the turbine blade pitch for maximum operational efficiency.

Whatever the project conditions and requirements, Eaton's hydraulics capabilities provide civil engineering solutions.

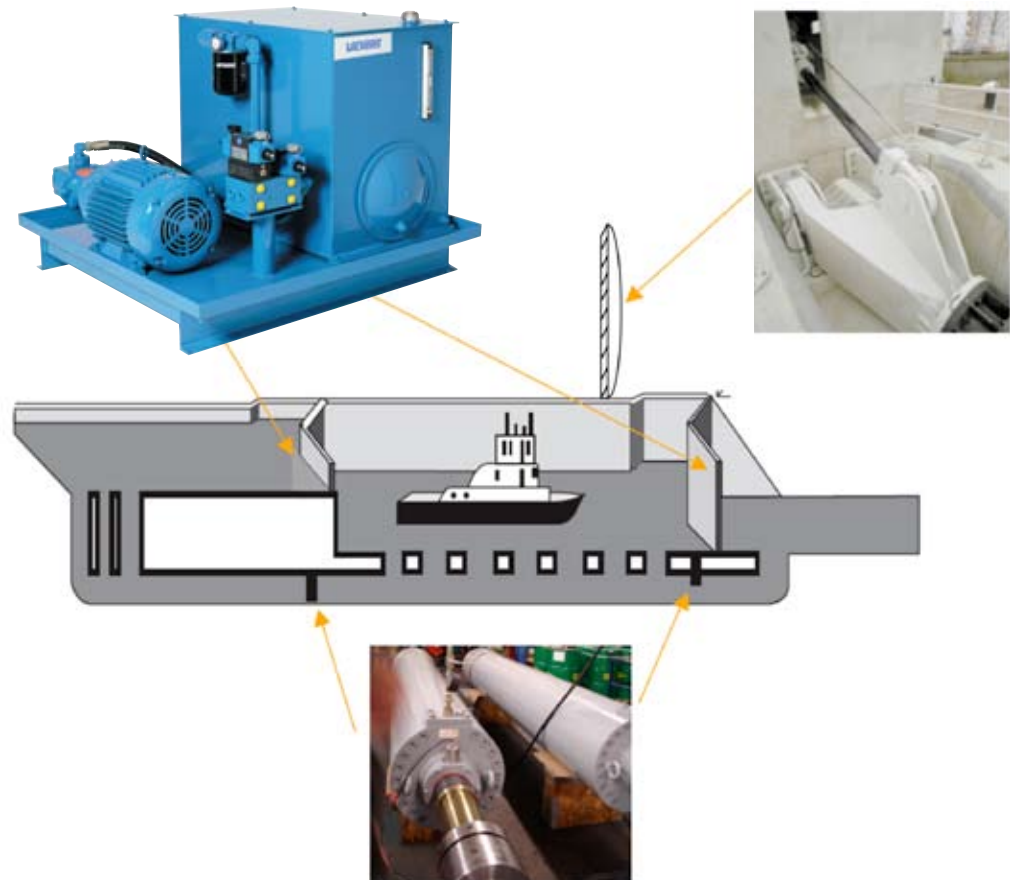


System Solutions - Canal Locks

Hydraulic Systems at a Navigation Locks

Navigation locks can be constructed in a variety of shapes, sizes and configurations. Nearly all arrangements are optimized using industrial hydraulics. Power units, manifolds, valves, and cylinders open and close Tainter gates, Tainter valves, culvert valves, miter gates, vertical lift gates, and rising stem valves, and also raise and lower ship arresters.

Whatever the project conditions and requirements, Eaton's hydraulics capabilities provide civil engineering solutions.

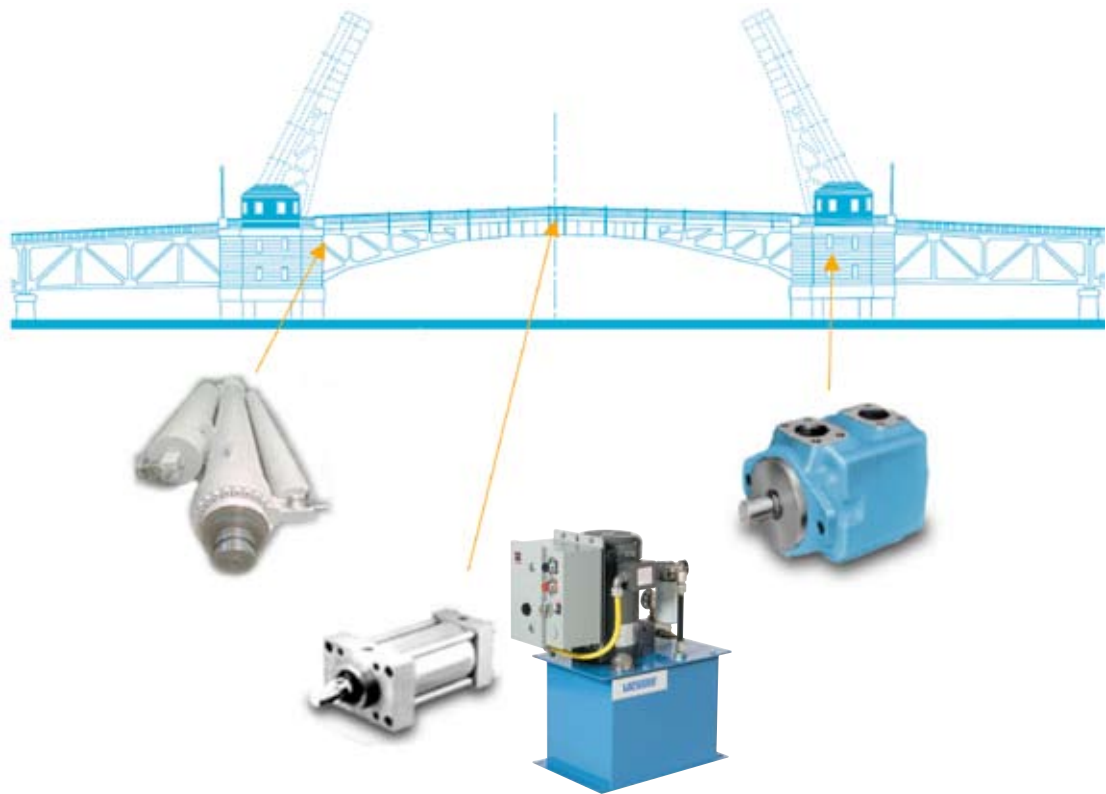


System Solutions - Movable Bridges

Hydraulic Systems at a Movable Bridge

Movable bridges have been around for centuries. The machinery to make them operate has taken many forms. One of the best solutions today is to employ industrial hydraulic systems. Hydraulic power units, manifolds, cylinders, valves, and motors are used to raise and lower spans, ensure spans are locked for safe traffic passage, and to operate the bridge in unusual or emergency situations.

Whatever the project conditions and requirements, Eaton's hydraulics capabilities provide civil engineering solutions.



System Solutions - Dams

Hydraulic Systems at a Dam

Reliability and durability are fundamental necessities for machinery at a dam. Because these traits are two of its key features, hydraulic equipment is a popular choice. Industrial hydraulic systems including power units, manifolds, valves, and cylinders control the flow of water by opening and closing intake gates, flood gates, outlet gates and emergency gates; maintain minimum required water levels for power generation or navigation by operating Tainter gates and vertical lift gates; and facilitate specialized functions such as maintenance by operating auxiliary equipment.

Whatever the project conditions and requirements, Eaton's hydraulics capabilities provide civil engineering solutions.

