

## Subsea Oil & Gas Coupling IP Series (Stainless Steel)



### Overview

Eaton's IP Series steel quick disconnect coupling is a screw-to-connect coupling for Subsea Oil & Gas applications. Due to the rugged construction of its unique design and special 1.4404 stainless steel material the coupling can withstand highest operating pressures up to 1379 bar and is suited for most corrosive environment in subsea.

### Product Features

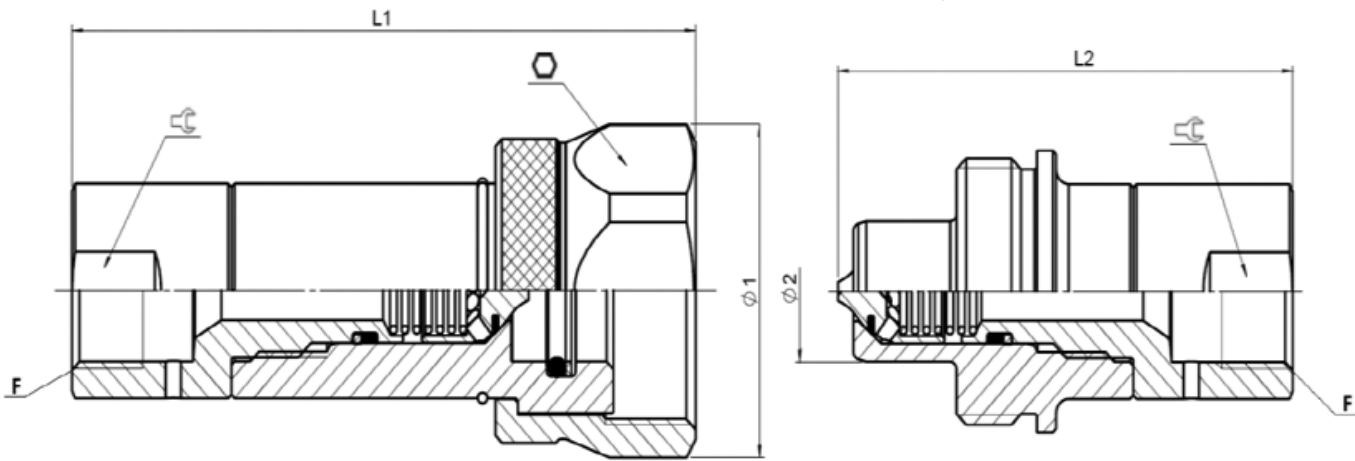
- Standard body material: 316L / 1.4404 stainless steel corrosion resistant
- Standard seal material: HNBR, NBR on the valve
- Thread-to-connect with double shut-off valving
- Proprietary profile
- Can be connected under residual pressure
- Working temperature : -32°C / +150°C
- Optional dust caps and plugs (made of stainless steel)

### Application

- Hydraulic, Testing of Wellheads in subsea Oil & Gas



*Powering Business Worldwide*



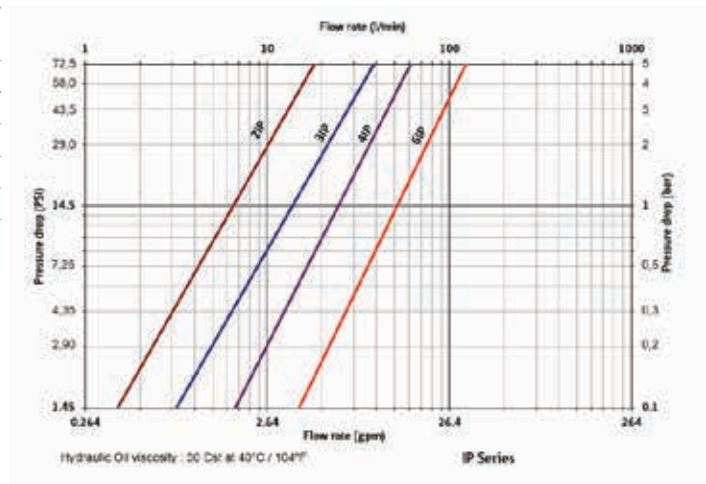
## Physical Characteristics

Body Size (in)	Working Pressure		Nominal Flow Diameter (mm)	Plug part number	Socket part number	Thread Size (Female)	Tube size (in)	Socket dimensions				Plug dimensions			Length connected (mm)
	(bar)	(psi)						L1 (mm)	Ø 1 (mm)	Ø (mm)	⊥ (mm)	L2 (mm)	Ø 2 (mm)	⊥ (mm)	
1/4"	1,379	20,000	2.8	2IPP25MP	2IPS25MP	7/16-20 UNF -2B	1/4"	82	38	35	23	58	32	23	112
1/4"	1,379	20,000	5.2	2IPP37MP	2IPS37MP	9/16-18 UNF -2B	3/8"	82	38	35	23	58	32	23	112
3/8"	1,034	15,000	8.1	3IPP56MP	3IPS56MP	13/16-16 UN -2B	9/16"	98	45	41	27	71	38	27	138
1/2"	965	14,000	11.1	4IPP75MP	4IPS75MP	3/4-14 NPSM -2B	3/4"	109	55	50	35	81.4	50	35	154.1
3/4"	689	10,000	16.5	6IPP100MP	6IPS100MP	1 3/8-12 UNF -2B	1"	139.8	63	58	41	105.2	60	41	200.5

## Dust Plugs and Dust Caps

Body Size (in)	Waterproof dust cap for female	Waterproof dust cap for male
	Stainless Steel	Stainless Steel
1/4"	SDC2IP	PDC2IP
3/8"	SDC3IP	PDC3IP
1/2"	SDC4IP	PDC4IP
3/4"	SDC6IP	PDC6IP

## Flow Data



**Eaton**  
 Hydraulics Group USA  
 14615 Lone Oak Road Eden Prairie,  
 MN 55344 USA  
 Tel: 952-937-9800  
 Fax: 952-294-7722  
[www.eaton.com/hydraulics](http://www.eaton.com/hydraulics)

**Eaton**  
 Hydraulics Group Europe Route de la  
 Longeraie 7 1110 Morges  
 Switzerland  
 Tel: +41 (0) 21 811 4600  
 Fax: +41 (0) 21 811 4601

**Eaton**  
 Hydraulics Group Asia Pacific  
 Eaton Building 4th Floor, No. 3 Lane 280  
 Linhong Rd. Changning District  
 Shanghai 200335  
 China  
 Tel: (+86 21) 5200 0099  
 Fax: (+86 21) 5200 0400