

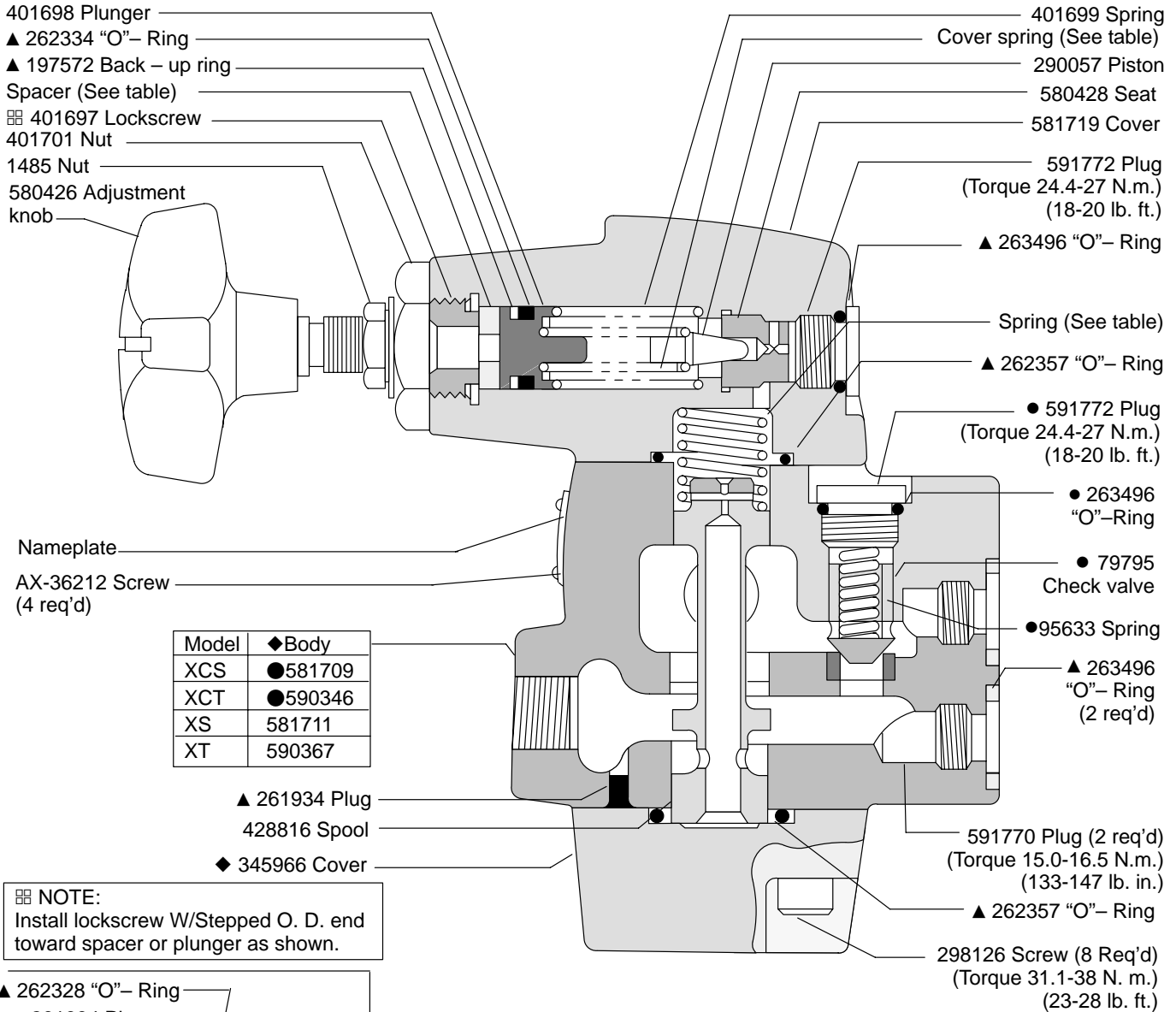
Pressure Relief



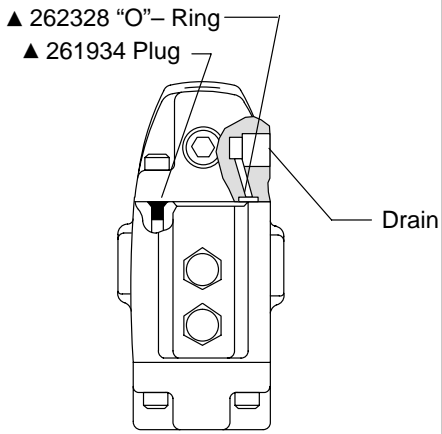
Pressure Reducing Valves

X(C)T-03--30**

X(C)S-03--30**



NOTE:
 Install lockscrew W/Stepped O. D. end toward spacer or plunger as shown.



Model	Spring	Cover spring	Spacer	Pressure range P.S.I.	Rated flow USgpm
XC*-03-1B-30	428817	2280		75-1000	7
XC*-03-1F-30	428818			150-1000	14
XC*-03-2B-30	428817	583937		75-2000	7
XC*-03-2F-30	428818			150-2000	14
XC*-03-3F-30		401700	386715	150-2850	

◆ Not available for sale.

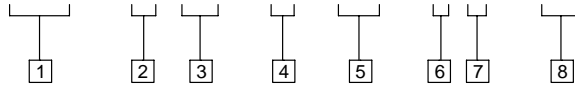
● Used on model XCS & XCT only.

▲ Service all units with F3 seal kit 919836.



Model Code

(F3) - X (C) * - 03 - * * - 30



1 Seals

F3 - Seals for mineral oil and fire resistant fluids

2 Pressure Reducing Valve

3 Integral Check Valve

Omitted – no check valve

4 Threaded Connections

S - .750-16 UNF-2B thd.
T - 3/8 inch NPTF thd.

5 Nominal valve size

03 - 3/8 inch

6 Maximum adjustable pressure

1 – 1000 PSI
2 – 2000 PSI
3 – 3000 PSI

7 Maximum rated flow capacity

B -7 USgpm
F -14 USgpm

8 Design

For satisfactory service life of these components, use full flow filtration to provide fluid which meets ISO cleanliness code **20/18/15** or cleaner. Selections from Eaton OFP, OFR and OFRS filter series are recommended.