



The Type 8410 canister mounted fuel boost pump was designed for the Airbus A320, to provide exceptional performance for high climb rates and at high cruising altitudes with all conventional aviation fuels, including JP4.

The pump element is installed in the Type 8411 canister, two of which are accessed from the underside of the central fuel tank and two more in each wing. The canister incorporates an inlet slide valve and an outlet NRV enabling the pump assembly to be removed from the fuel system without draining the fuel tanks. These fuel valves can be replaced without removing the canister from the aircraft.

Whilst running, the motor is cooled and bearings lubricated by fuel taken from the pump impeller by the action of the reprime pump. This pump also removes air released from the fuel during operation and gives reprime capability after temporary interruption of the inlet supply.

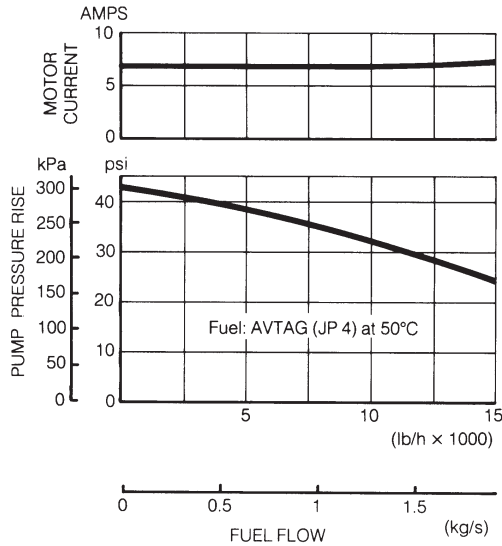
Design Features

- Canister mounted
- Easily fitted or removed (without draining fuel tank)
- Provides vapour-free fuel
- Fuel cooled and lubricated bearings
- Three-phase induction motor
- Explosion proof and thermally protected

Specification

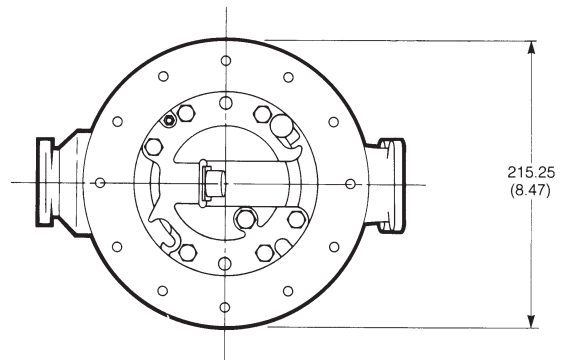
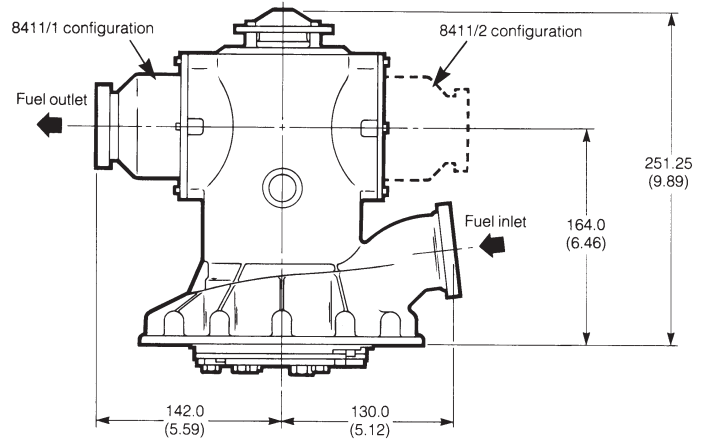
Pump (8410) Part No. 568-1-27202
 Canister (8411/1). Part No. 568-1-27203
 Canister (8411/2). Part No. 568-1-27244
 Power Supply 200V 400Hz 3 Phase
 Flow Rate 1.39kg/sec (11,000lb/hr)
 Delivery Pressure 200kPa (29psig)
 Current Consumption 8A (nominal)
 Weight (dry)
 Pump 2.3kg (5lb)
 Canister 2.7kg (6lb)

Typical Performance Curves



Typical performance characteristics at sea-level

Pump Type 8410 and Canister 8411



Dimensions in mm (in)

Eaton Aerospace Limited
 Aerospace Group
Fuel & Motion Control Systems Division
 Abbey Park, Southampton Road
 Titchfield, Fareham
 Hampshire, PO14 4QA
 UK
 Tel: +44 (0)1329 853000
 Fax: +44 (0)1329 853797
 www.eaton.com/aerospace